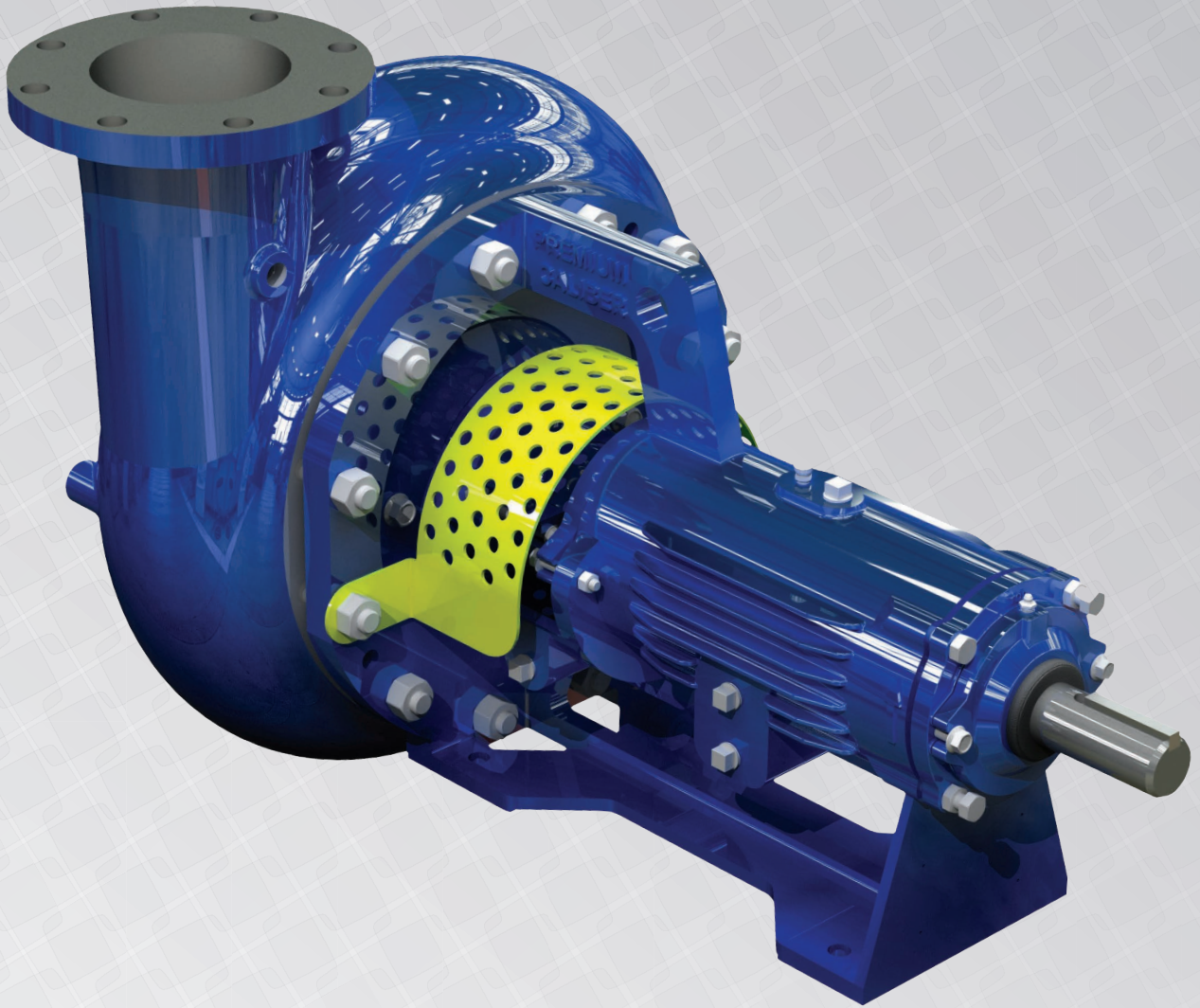


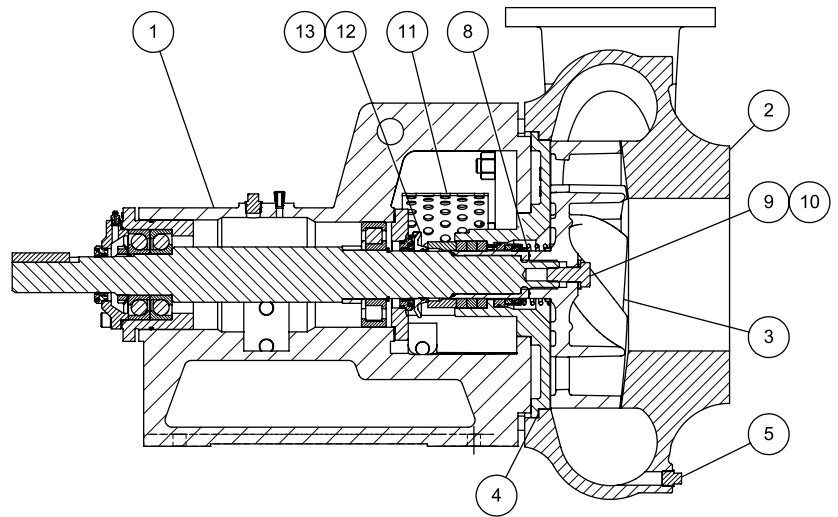
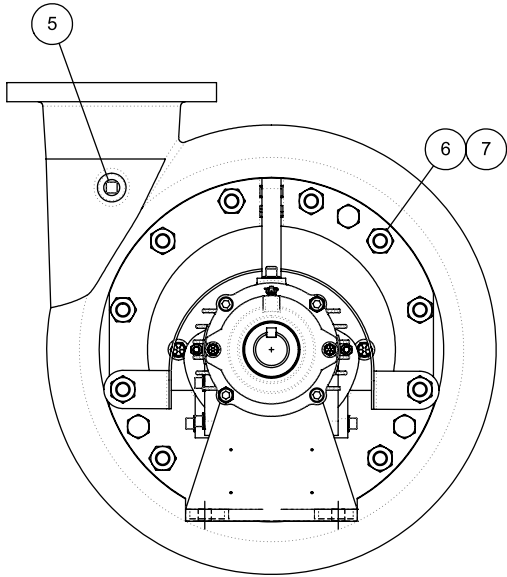
CALIBER[®]

**MD 250 Series
Centrifugal Pump**




PREMIUM[®]
Oilfield Technologies

Caliber[®] MD 250 Series



Premium Oilfield Technologies Caliber[®] centrifugal pumps incorporate field proven designs and updated technology to extend service life and reduce downtime during drilling operations.

Features and Benefits Include:

- Cooling fins added to frame help disperse heat and extend bearing and packing life
- Optional retaining ring to secure inboard bearing
- Open impeller design to maximize flow
- Concentric casing design minimizes turbulence
- Replaceable shaft sleeve to absorb wear and extend shaft life
- Long life mechanical seals
- Oil bath option available

Item	P/N	Description	Qty
1	530-0200	Frame assembly	1
2	530-0200*	Casing	1
3	See pg 4	Impeller	1
4	530-0111	Gasket, casing	1
5	601-0195	Plug 1/2-14 NPT, square drive	2
6	201-860	Stud, 3/4-10 X 3.375 LG	12
7	210-009	Heavy hex nut 3/4-10	12
8	3H9-2032	O-ring 2-032 HNBR 90 Duro	1
9	207-007	Flat washer, 3/4	1
10	601-0190	Hex Head Capscrew, 3/4-10 X 1.750LG, LH	1
11	530-0300	Safety Guard	1
12	530-0320	Mud Guard	1
13	3N7-2144	O-Ring 2-144 NBR 70 DURO	1

*Use part number 530-0200-L for Oil Bath version.

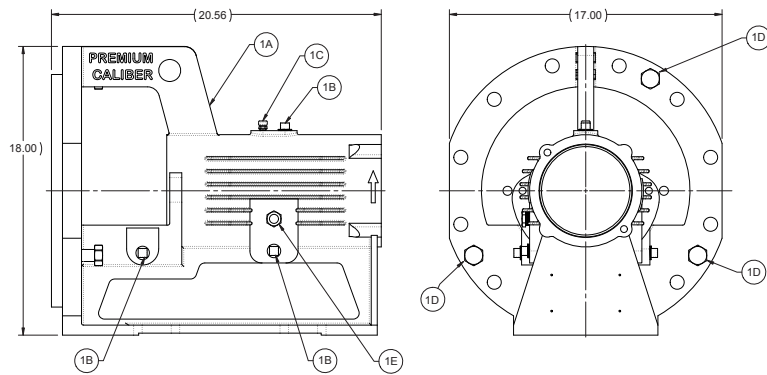
Centrifugal Pump Parts

Assem. No.	Impeller		Casing	
	Size	Part No.	Size	Part No.
530-0010	3" X 2" X 13"	530-0012-130	3" x 2" x 13"	530-0011
530-0110	3" X 2" X 11"	530-0012-110		
530-0210	3" X 2" X 12"	530-0012-120		
530-0020	4" X 3" X 13"	530-0022-130	4" X 3" X 13"	530-0021
530-0120	4" X 3" X 12"	530-0022-120		
530-0220	4" X 3" X 11"	530-0022-110		
530-0030	5" X 4" X 14"	530-0032-140	5" X 4" X 14"	530-0031
530-0130	5" X 4" X 11"	530-0032-110		
530-0230	5" X 4" X 12"	530-0032-120		
530-0330	5" X 4" X 13"	530-0032-130		
530-0040	6" X 5" X 11"	530-0052-110	6" X 5" X 11"	530-0041
530-0140	6" X 5" X 9"	530-0052-090		
530-0240	6" X 5" X 10"	530-0052-100		
530-0050	6" X 5" X 14"	530-0052-140	6" X 5" X 14"	530-0051
530-0150	6" X 5" X 11"	530-0052-110		
530-0250	6" X 5" X 12"	530-0052-120		
530-0350	6" X 5" X 13"	530-0052-130		
530-0060	8" X 6" X 11"	530-0062-110	8" X 6" X 11"	530-0061
530-0160	8" X 6" X 9"	530-0062-090		
530-0260	8" X 6" X 10"	530-0062-100		
530-0070	8" X 6" X 14"	530-0072-140	8" X 6" X 14"	530-0071
530-0170	8" X 6" X 11"	530-0072-110		
530-0270	8" X 6" X 12"	530-0072-120		
530-0370	8" X 6" X 13"	530-0072-130		
530-0080	10" X 8" X 14"	530-0082-140	10" X 8" X 14"	530-0081
530-0180	10" X 8" X 11"	530-0082-110		
530-0280	10" X 8" X 12"	530-0082-120		
530-0380	10" X 8" X 13"	530-0082-130		

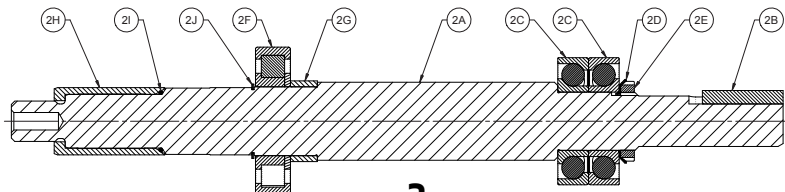
*Please add "-L" to end of assembly number for Oil Bath option.

Pump Components

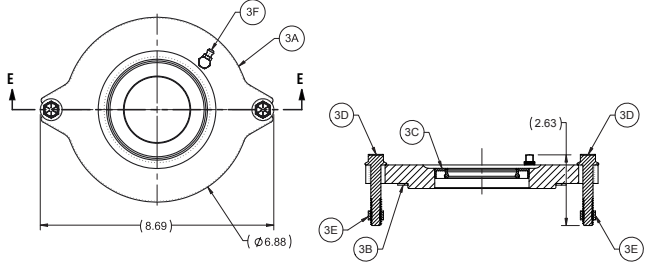
Item	P/N	Description	Qty	
1	530-0210	Frame Assembly	1	
	1A	530-0211	Frame	1
	1B	601-0195	Plug 1/2-14NPT, Square Drive	5
	1C	601-0191	Breather 1/8" PTF SAE Short	1
	1D	203-1479	Jack-Up Bolts, 3/4-10UNC X 2.00LG	3
	1E	601-0397	Sight Glass (For Oil Bath Setup Only)	1
2	530-0220	Shaft and Bearing Assembly	1	
	2A	530-0221	Shaft	1
	2B	530-0222	Coupling Key	1
	2C	530-0223	Bearing, Outboard	2
	2D	530-0224	Lockwasher, Outboard	1
	2E	530-0225	Locknut, Outboard	1
	2F	530-0226	Bearing, Inboard	1
	2G	530-0227	Spacer, Inboard	1
	2H	530-0228	Sleeve	1
	2I	3H9-2225	O-Ring 2-225 HNBR 90 Duro	1
	2J	601-0271	Retaining Ring	1
3	530-0240	Inboard Bearing Cover Kit	1	
	3A	530-0241	Cover	1
	3B	530-0242	Gasket	1
	3C	530-0243	Inboard Labyrinth Seal	1
	3D	601-0196	FLG Hex Head CS, 3/8-16UNC X 1.50LG	2
	3E	209-005	Hex Nut, 3/8-16UNC	2
	3F	601-0193	Grease Fitting 1/8" 90~ PTF SAE SPL SHORT	1
4	530-0250	Outboard Bearing Housing Kit	1	
	4A	530-0251	Housing	1
	4B	3N7-2254	O-Ring 2-254 NBR 70 DURO	1
	4C	205-845	Socket Head CS, 1/2-13UNC X 1.50LG	4
	4D	209-007	Jam Nuts, 1/2-13UNC	2
5	530-0260	Outboard Bearing Cover Kit	1	
	5A	530-0261	Cover	1
	5B	530-0262	Outboard Labyrinth Seal	1
	5C	3N7-2248	O-Ring 2-248 NBR 70 Duro	1
	5D	601-0198	FLG Hex Head CS, 3/8-16UNC X 1.25LG	2
	5E	601-0192	Grease Fitting 1/8" PTF SAE SPL Short	1
6	530-0270	Stuffing Box and Mech. Seal Assembly	1	
	6A	530-0271	Stuffing Box - Mech. Seal	1
	6B	601-0199	FLG Hex Head CS, 1/2-13UNC X 1.25LG	2
	6C	530-0272	Mech. Seal Kit - JC Type-I	1
	6D	530-0277	Packing, Graphite/Teflon	1
	6E	530-0274	Gland Assembly Set	1
	6F	530-0275	L-Shape Bolt Assembly, 3/8-16UNC	2



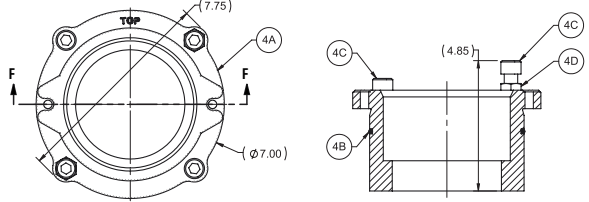
1
530-0210 - frame assembly



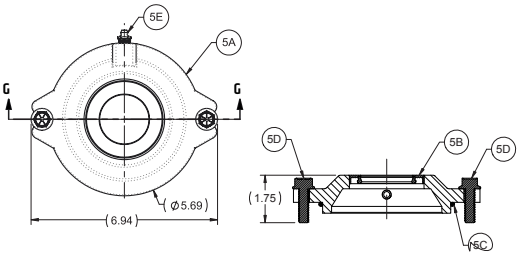
2
530-0220 - shaft and bearing assembly



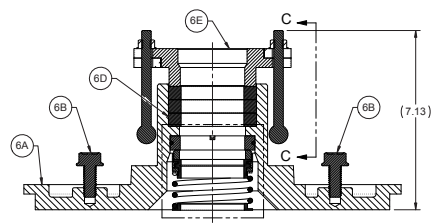
3
530-0240-L - inboard bearing cover kit



4
530-0250 - outboard bearing housing kit

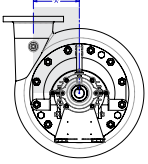
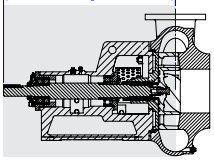
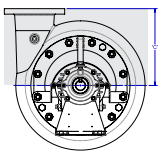
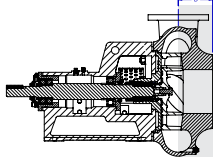


5
530-0260-L - outboard bearing cover kit



6
530-0270 - stuffing box and mech. seal assembly

Caliber[®] MD 250 Series

	A	B	C	D
Casing Part No.				
530-0011 3" X 2" X 13"	7.00	29.25	10.25	3.75
530-0021 4" X 3" X 13"	6.75	29.38	10.25	4.25
530-0031 5" X 4" X 14"	6.13	30.00	11.00	5.00
530-0041 6" X 5" X 11"	6.00	30.63	11.00	5.75
530-0051 6" X 5" X 14"	6.00	30.63	11.00	5.75
530-0061 8" X 6" X 11"	8.38	31.25	14.00	6.25
530-0071 8" X 6" X 14"	8.38	31.25	14.00	6.25
530-0081 10" X 8" X 14"	8.00	31.25	14.19	6.69

Since 2003, Premium Oilfield Technologies has been supplying quality products to the oil and gas industry.

Our core focus is to provide performance enhancing solutions that meet the strictest safety standards. We have developed, tested, and enhanced mud pump components, top drives, mud valves, RCD/MPD systems, shaker screens, and other drilling products that decrease downtime, improve safety, and perform in the toughest drilling environments.

Premium Oilfield Technologies has worldwide locations and operations in all of the U.S. major shale plays. Our field locations boast a crew of experienced technical sales representatives that visit each rig several times per month. Geographic positioning allows us to directly supply our products to more than 500 drilling rigs every day.

- ◆ Industry standard, fully interchangeable parts and systems
- ◆ Performance-enhancing hammerless technology
- ◆ Time saving safety enhancements
- ◆ Field-based rig site technical support
- ◆ Managed rig site inventory 24/7/365
- ◆ Strict onsite testing and quality assurance



CORPORATE

Premium Oilfield Technologies - USA

10600 W. Sam Houston Pkwy. North
Houston, TX 77064
T: +1 281.670.5200

USA MANUFACTURING & REPAIR

Patriot and Urethane

10600 W. Sam Houston Pkwy. North
Houston, TX 77064
T: +1 281.670.5228

Premium Drilling Equipment and Support

9841 Windmill Park Ln.
Houston, TX 77064
T: +1 281.670.5200

Well Service Solutions and Equipment

2904 SCR 1250
Midland, TX 79706
T: +1 432.563.2338

West Texas Operations - All Divisions

10207 West Industrial Ave.
Midland, TX 79706
T: +1 432.332.3651

Patriot Screens

4602 S. MacArthur Blvd.
Oklahoma City, OK 73179
T: +1 405.470.6553

NORTH AMERICA FIELD SALES, SERVICES AND REPAIR OFFICES

California / Colorado / Louisiana / New Mexico / North Dakota / Oklahoma / Pennsylvania / Texas / Utah
Wyoming / Leduc, Alberta

INTERNATIONAL

KUWAIT

Premium Oilfield Technologies

P.O. Box 721
Yarmouk, Kuwait
72658
T: +965 99679126
T: +965 66022296

UAE

Premium Oilfield Technologies Trading LLC

P.O. Box 89561
Dubai, UAE
T: +971 55 889 7210
T: +971 56 986 3834

UAE

Premium Drilling Equipment and Support Middle East

#FZS1BA04 Jebel Ali Free Zone (South)
P.O. Box 262263
Dubai, UAE
T: +971 4 889 4897
T: +971 50 658 7570

INDIA

PMR Mud Riggers India Private Limited

21/17, D-1 Block, MIDC
Chinchwad, Pune MH 411019
India

SAUDI ARABIA

Premium Mud Pumps Trading Est.

P.O. Box 956
Dammam, KSA
Postal Code: 31951
T: +966 50 0157516



Premium Oilfield Technologies
Q1-3977
ISO 9001:2015
Certificate Number: 5028



sales@premiumoilfield.com
premiumoilfield.com

121323

SUR·LOCK

CALIBER

TRU·FLOW

PATRIOT™



LOGAN
Power Swivel