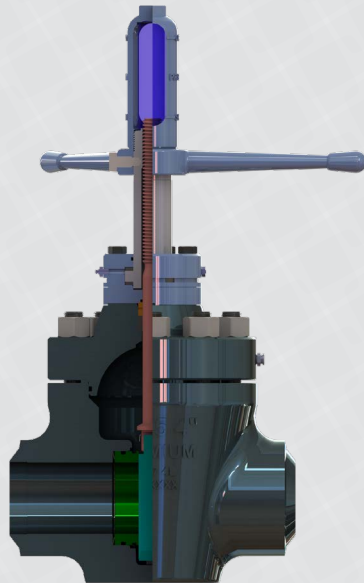


NV-7500 4" MUD GATE VALVE

with Proprietary M2M™ Seat Technology



The Premium Oilfield Technologies Mud Gate Valve uses M2M™ sealing technology. This technology allows our valve to be one of the longest lasting valves in the industry and is used in applications up to 7500 psi. Unlike conventional mud valves with rubber seats that wash out quickly, the NV75 uses single piece seat rings creating an upstream metal to metal seal. This upstream design helps eliminate debris contamination into the valve body and reduces wear on internal components.

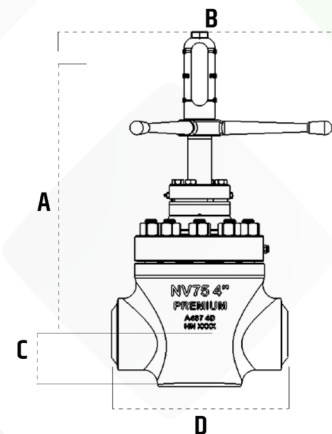
BENEFITS

- ◆ Single piece seat
- ◆ Metal to metal sealing
- ◆ Reduced wash-outs: Upstream sealing reduces solids in valve cavity
- ◆ High performance urethane stem packing
- ◆ Stainless steel stem, gate and seats. Forged bonnet
- ◆ Certificates available up to API PSL-2

APPLICATIONS

- ◆ 7500 psi mud systems
- ◆ Standpipe manifolds
- ◆ MPD manifolds
- ◆ Bleed lines
- ◆ 4" full bore, 1002, butt-weld or flanged

Dim	4" XXH	4" Flanged	4" 1002 (Integral)
A	19.33	19.33	19.33
B	24.00	24.00	24.00
C	4.75	4.75	4.75
D	16.00	26.38	22.25

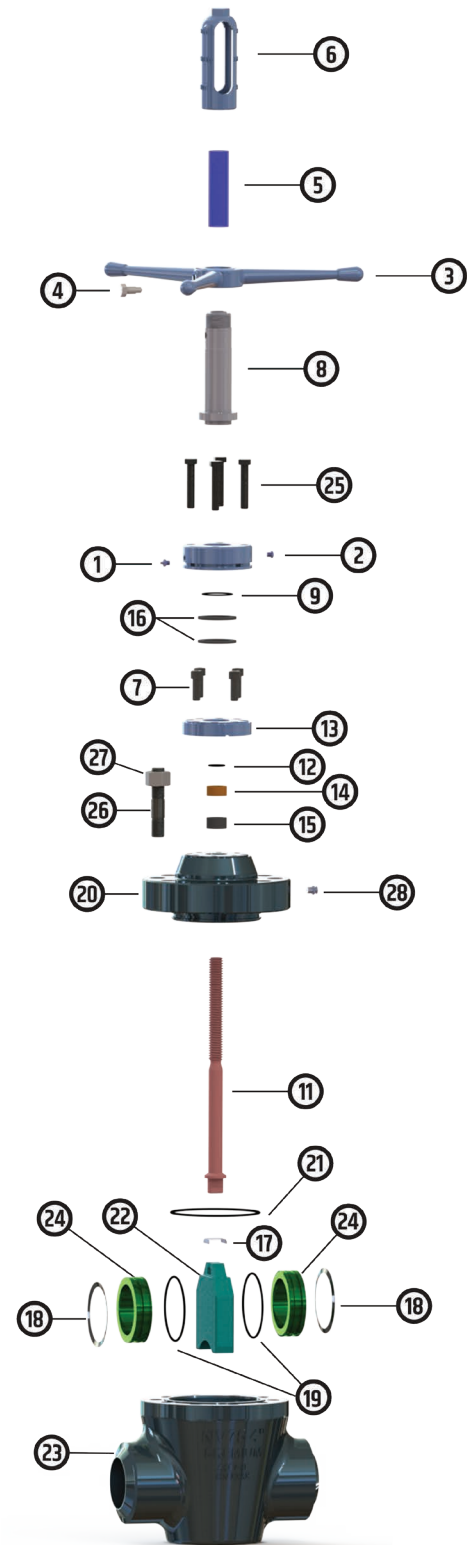


4" NV-7500 MUD GATE VALVE

with Proprietary M2M™ Seat Technology

Item #	Part #	Kit	Description
	501-6510		Assembly-weld end
	501-6520		Assembly-flange end
	501-6530		Assembly-int 1002
	501-6550		Minor repair kit , includes Y
	501-6560		Major repair kit , includes X
1	601-0009		Grease fitting, 1/8 NPT
2	601-0025		Relief fitting, 1/8 NPT
3	501-0890		Handwheel
4	501-0900		Handwheel screw
5	501-0910		Stem tube
6	501-0920		Stem cap
7	205-1057		SHCS, .625-11UNC X 1.750LG
8	501-0940	X	Stem screw, 1040
9	3N7-2228	X	Screw housing seal, 2-228 NBR
10	501-0960		Screw housing, 1040
11	501-6575	X	Stem, 410SS QPQ
12	3H9-2216	X	Secondary seal, 2-216 HNBR
13	501-0990		Packing retainer, 1040
14	501-1001	X	Stem bushing, AL-BR
15	501-1002	X	Stem seal packing, HNBR
16	601-0033	X	Bearing assy (601-0034/5)
17	501-1020	XY	Gate clip, SS
18	501-6573	XY	Seat washer, belleville 4"
19	3H9-2352	XY	Seat seal, 2-352 HNBR
20	501-6576		Bonnet, A487 4D
21	3H9-2364	XY	Bonnet seal, 2-364 HNBR
22	501-6571	XY	Gate, 410SS TC
23	501-6580		Body, weld ends, A487 4D
	501-6582		Body, flange ends, A487 4D
	501-6587		Body, int 1002 ends, A487 4D
24	501-6572	XY	Seat, 410SS TC
25	203-1281		Bolt, .625-11UNC X 3.500LG
26	501-1110		Stud, 1.125-8UN X 5.500LG
27	210-016		Nut, 1.125-8UN
28	601-0220		Grease fitting, 1/4" NPT, button head
*	503-0105		1002 union seal 5"
*	601-0340		Retaining ring
*	503-0134		Segments, 1002 union 5"
*	503-0133		Nut, 1002 union 5"

*not shown



Premium Oilfield
Technologies
Q1-3977

Premium Oilfield Technologies
10600 W. Sam Houston Pkwy North
Houston, Texas 77064
281.670.5200 ♦ premiumoilfield.com