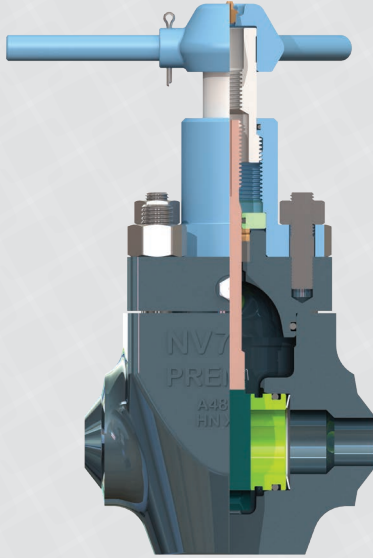


# NV-7500 2" MUD GATE VALVE

with Proprietary M2M™ Seat Technology



The Premium Oilfield Technologies Mud Gate Valve uses M2M™ sealing technology. This technology allows our valve to be one of the longest lasting valves in the industry and is used in applications up to 7500 psi. Unlike conventional mud valves with rubber seats that wash out quickly, the NV-7500 uses single piece seat rings creating an upstream metal to metal seal. This upstream design helps eliminate debris contamination into the valve body and reduces wear on internal components.

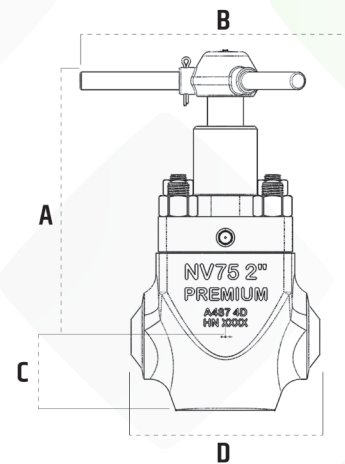
## BENEFITS

- ◆ Single piece seat
- ◆ Metal to metal sealing
- ◆ Reduced wash-outs: Upstream sealing reduces solids in valve cavity
- ◆ High performance urethane stem packing
- ◆ Stainless steel stem, gate and seats and forged bonnet
- ◆ Certificates available up to API PSL-2

| Dim | 2" XXH | 2" Flanged | 2" 1502 (integral) | 2" 1502 (compact) |
|-----|--------|------------|--------------------|-------------------|
| A   | 13.690 | 13.690     | 13.690             | 13.690            |
| B   | 12.380 | 12.380     | 12.380             | 12.380            |
| C   | 3.500  | 3.500      | 3.500              | 3.500             |
| D   | 9.000  | 20.500     | 15.720             | 14.720            |

## APPLICATIONS

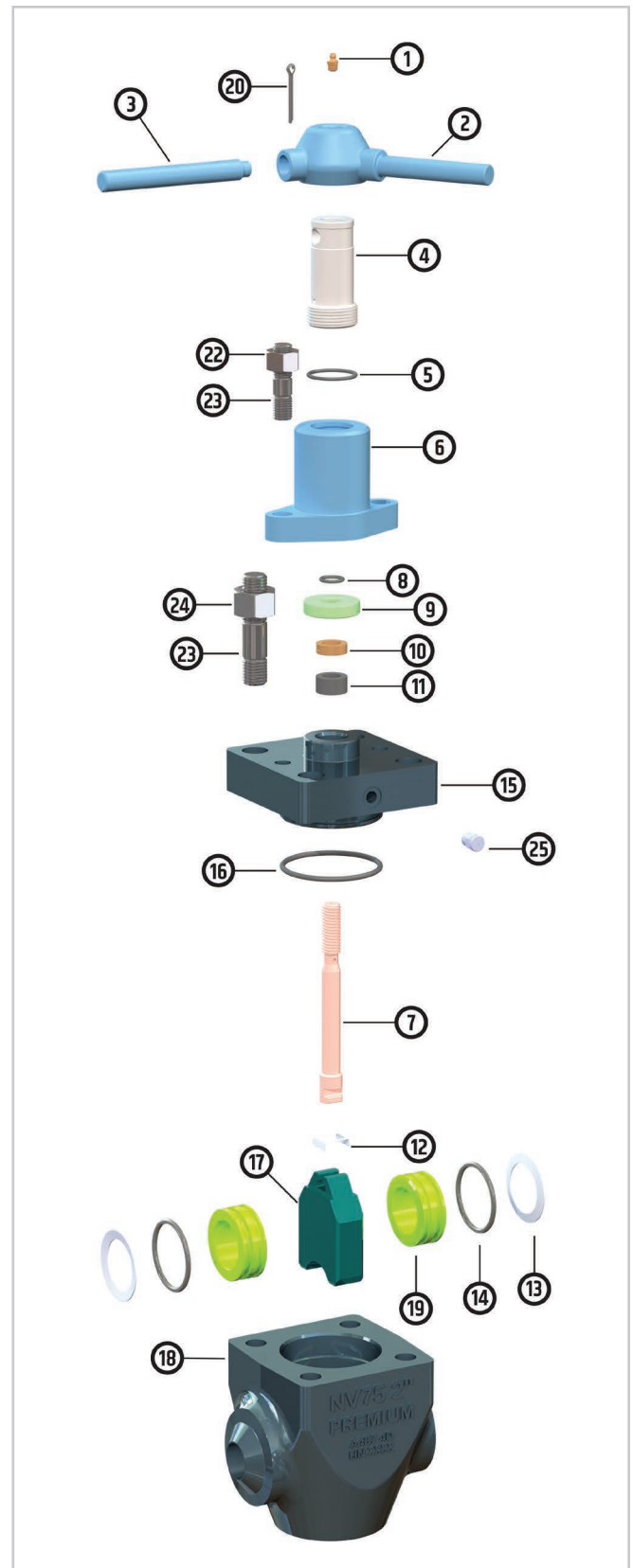
- ◆ 7500 psi mud systems
- ◆ Standpipe manifolds
- ◆ MPD manifolds
- ◆ Bleed lines
- ◆ 2" full bore, 1502, butt-weld or flanged



# 2" NV-7500 MUD GATE VALVE

with Proprietary M2M™ Seat Technology

| Item # | Part #          | Kit | Description                           |
|--------|-----------------|-----|---------------------------------------|
|        | 501-6350        |     | Assembly-weld end                     |
|        | 501-6360        |     | Assembly-flange end                   |
|        | 501-6363        |     | Assembly-int 1502                     |
|        | 501-6330        |     | Minor repair kit , includes Y         |
|        | 501-6340        |     | Major repair kit , includes X         |
| 1      | 601-0009        |     | Grease Fitting, 1/8 NPT               |
| 2      | 501-0230        |     | Handle                                |
| 3      | 501-0240        |     | Handle Lock                           |
| 4      | 501-0250        | X   | Stem Screw, 1040                      |
| 5      | 3N7-2224        | X   | Screw Housing Seal, 2-224 NBR         |
| 6      | 501-0270        |     | Screw Housing, 1040                   |
| 7      | 501-6374        | X   | Stem, 410SS QPQ                       |
| 8      | 3H9-2210        | X   | Secondary Seal, 2-210 HNBR            |
| 9      | 501-0300        |     | Packing Retainer, 410SS               |
| 10     | 501-0311        | X   | Stem Bushing, AL-BR                   |
| 11     | 601-0282        | X   | Stem Seal Packing, Urethane PolyPak   |
|        | 501-0312 [ALT.] | X   | Stem Seal Packing, HNBR               |
| 12     | 501-0320        | XY  | Gate Clip, SS                         |
| 13     | 501-6373        | XY  | Seat Belleville, 17-4PH               |
| 14     | 3H9-2334        | XY  | Seat Seal, 2-334 HNBR                 |
| 15     | 501-6375        |     | Bonnet, A487 4D, w/ Port              |
| 16     | 3H9-2343        | XY  | Bonnet Seal, 2-343 HNBR               |
| 17     | 501-6371        | XY  | Gate, 410SS TC                        |
| 18     | 501-6380        |     | Body, Weld Ends, A487 4D              |
| 19     | 501-6372        | XY  | Seat, 410SS TC                        |
| 20     | 601-0037        |     | Cotter Pin                            |
| 21     | 501-0410        |     | Stud, .750-10UNC X 3.000LG            |
| 22     | 210-009         |     | Nut, .750-10UNC                       |
| 23     | 501-0430        |     | Stud, 1.000-8UNC X 4.500LG            |
| 24     | 210-013         |     | Nut, 1.000-8UNC                       |
| 25     | 601-0220        |     | Grease Fitting, 1/4" NPT, Button Head |



Premium Oilfield  
Technologies  
Q1-3977

Premium Oilfield Technologies  
10600 W. Sam Houston Pkwy North  
Houston, Texas 77064  
281.670.5200 ♦ [premiumoilfield.com](http://premiumoilfield.com)