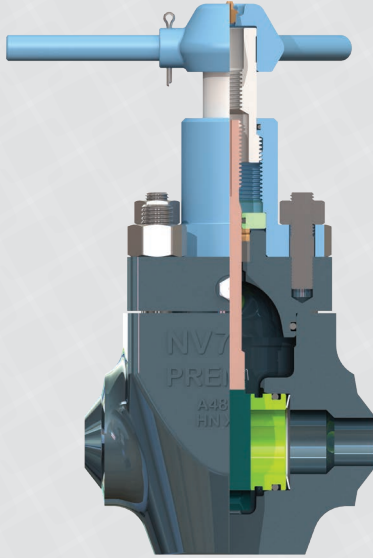


NV-7500 2" MUD GATE VALVE

with Proprietary M2M™ Seat Technology



The Premium Oilfield Technologies Mud Gate Valve uses M2M™ sealing technology. This technology allows our valve to be one of the longest lasting valves in the industry and is used in applications up to 7500 psi. Unlike conventional mud valves with rubber seats that wash out quickly, the NV-7500 uses single piece seat rings creating an upstream metal to metal seal. This upstream design helps eliminate debris contamination into the valve body and reduces wear on internal components.

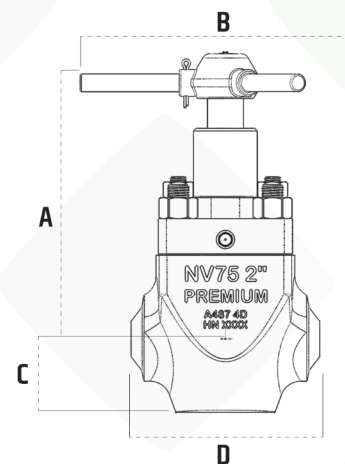
BENEFITS

- ◆ Single piece seat
- ◆ Metal to metal sealing
- ◆ Reduced wash-outs: Upstream sealing reduces solids in valve cavity
- ◆ High performance urethane stem packing
- ◆ Stainless steel stem, gate and seats and forged bonnet
- ◆ Certificates available up to API PSL-2

Dim	2" XXH	2" Flanged	2" 1502 (integral)	2" 1502 (compact)
A	13.690	13.690	13.690	13.690
B	12.380	12.380	12.380	12.380
C	3.500	3.500	3.500	3.500
D	9.000	20.500	15.720	14.720

APPLICATIONS

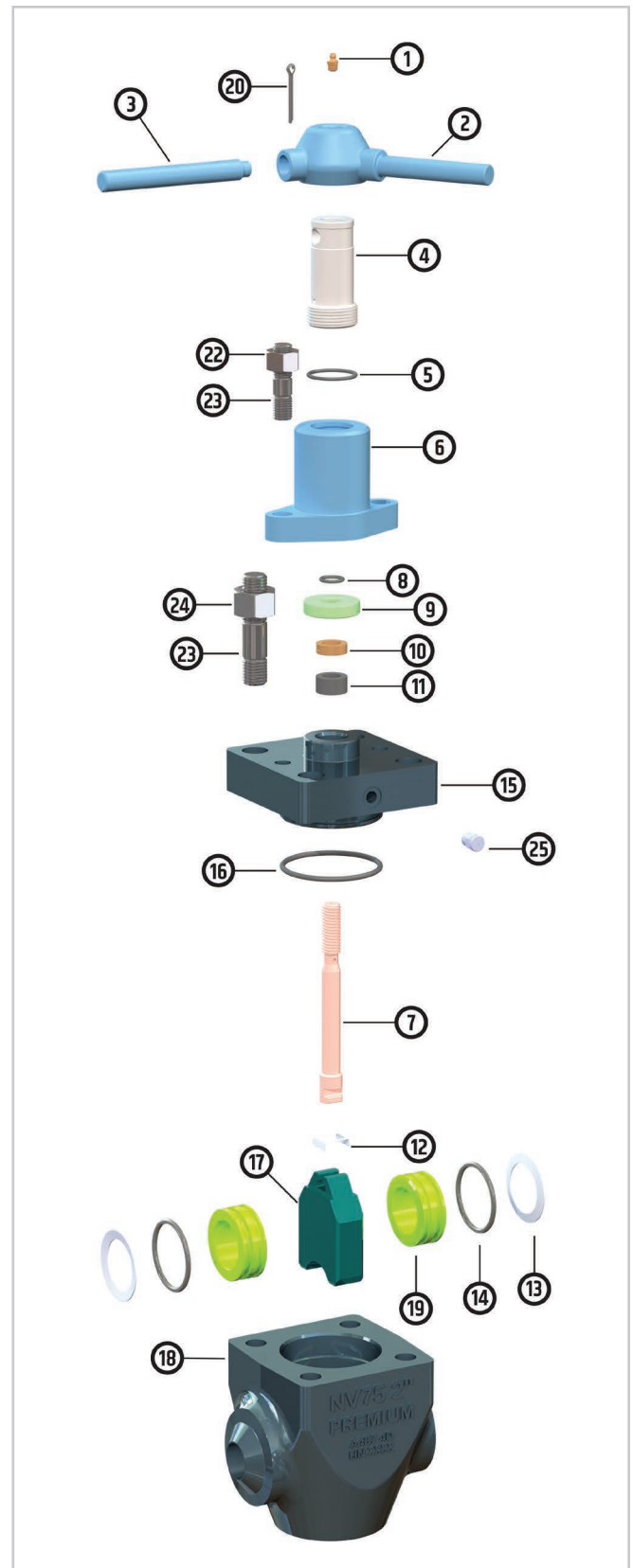
- ◆ 7500 psi mud systems
- ◆ Standpipe manifolds
- ◆ MPD manifolds
- ◆ Bleed lines
- ◆ 2" full bore, 1502, butt-weld or flanged



2" NV-7500 MUD GATE VALVE

with Proprietary M2M™ Seat Technology

Item #	Part #	Kit	Description
	501-6350		Assembly-weld end
	501-6360		Assembly-flange end
	501-6363		Assembly-int 1502
	501-6330		Minor repair kit , includes Y
	501-6340		Major repair kit , includes X
1	601-0009		Grease Fitting, 1/8 NPT
2	501-0230		Handle
3	501-0240		Handle Lock
4	501-0250	X	Stem Screw, 1040
5	3N7-2224	X	Screw Housing Seal, 2-224 NBR
6	501-0270		Screw Housing, 1040
7	501-6374	X	Stem, 410SS QPQ
8	3H9-2210	X	Secondary Seal, 2-210 HNBR
9	501-0300		Packing Retainer, 410SS
10	501-0311	X	Stem Bushing, AL-BR
11	601-0282	X	Stem Seal Packing, Urethane PolyPak
	501-0312 [ALT.]	X	Stem Seal Packing, HNBR
12	501-0320	XY	Gate Clip, SS
13	501-6373	XY	Seat Belleville, 17-4PH
14	3H9-2334	XY	Seat Seal, 2-334 HNBR
15	501-6375		Bonnet, A487 4D, w/ Port
16	3H9-2343	XY	Bonnet Seal, 2-343 HNBR
17	501-6371	XY	Gate, 410SS TC
18	501-6380		Body, Weld Ends, A487 4D
19	501-6372	XY	Seat, 410SS TC
20	601-0037		Cotter Pin
21	501-0410		Stud, .750-10UNC X 3.000LG
22	210-009		Nut, .750-10UNC
23	501-0430		Stud, 1.000-8UNC X 4.500LG
24	210-013		Nut, 1.000-8UNC
25	601-0220		Grease Fitting, 1/4" NPT, Button Head



Premium Oilfield
Technologies
Q1-3977

Premium Oilfield Technologies
10600 W. Sam Houston Pkwy North
Houston, Texas 77064
281.670.5200 ♦ premiumoilfield.com