

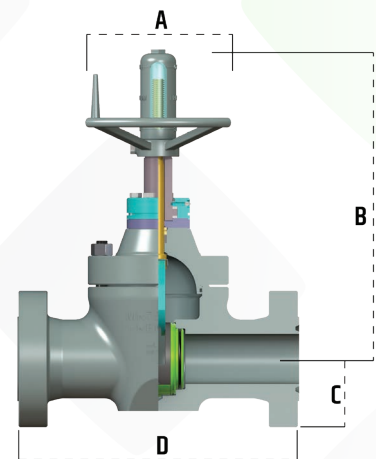
INDUSTRY-STANDARD AND FULLY INTERCHANGEABLE PARTS AND SYSTEMS

The Premium MR-75 Mud Gate Valve utilizes a field proven design, cross-compatible with legacy Demco profile mud valves. The 7500 psi version is available in sizes from 1.5" to 5" full bore along with major and minor spares kits.

BENEFITS

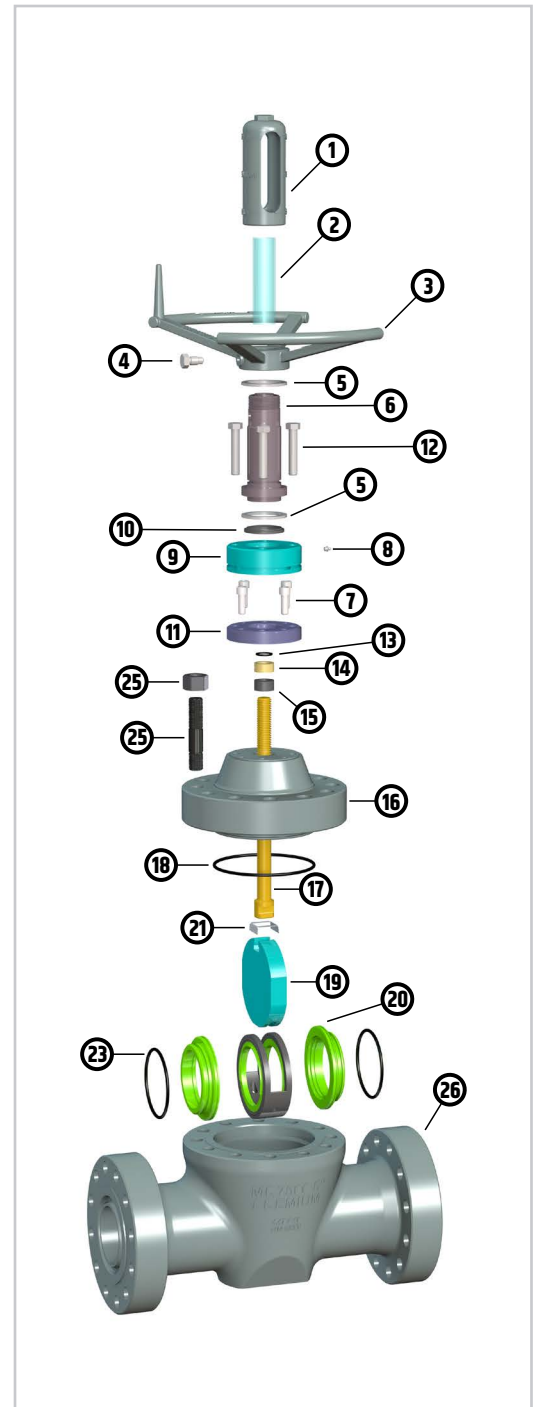
- ◆ Designed to be repaired without taking valve offline
- ◆ Replaceable seat rings that wear instead of the valve body, extending service life of the valve
- ◆ Stainless steel trim is standard on all valves, for high performance in corrosive applications
- ◆ Valves and repair kits are 100% interchangeable with competing brands
- ◆ Major and minor spare parts kits are stocked
- ◆ Available with Patriot™ ultra-high-performance elastomer seats to extend life

Dim	5" Weld End	5" Flanged
A	24	24
B	31.81	31.81
C	5	5
D	17.88	29



MR-75 HIGH PRESSURE MUD VALVE - 5" BORE

Item No.	Part Description	Kit	5" BORE	5" BORE - OEM
1	Stem Cap		501-1240	JO18193
2	Stem Tube		501-1230	JO18192
3	Hand Wheel		501-1200	JO16986
4	Hand Wheel Screw		501-1220	JO16987
5	Bearing Assembly	Y	601-0122	STEM SCREW W/BEARINGS J023848
6	Stem Screw, 1040	Y	501-1260	
7	Bolt-Housing, SAE GR 5		205-1057	J005665-32028*
8	Grease Fitting, 1/8 NPT		601-0009	J005195
9	Screw Housing, 1040		501-1270	JO18190*
10	Screw Housing Seal, HNBR	Y	601-0125	2726191-02-95
11	Packing Retainer		501-1290	JO18191*
12	Retainer Screw, SHCP		202-1495	702500-16-00-40
13	Secondary Seal, HNBR	Y	3H9-2218	2712425-12
14	Stem Bushing, AL-BR	Y	501-1301	STEM SEAL ASSEMBLY J016995-008
15	Stem Seal Packing, FEPM	Y	501-1302**	
16	Bonnet, 4130		501-1350	J024956-030*
17	Stem, 410SS QPQ	Y	501-1280	J024943-107
18	Bonnet Seal, HNBR	XY	3H9-2446	2712425-78
19	Gate, 410SS QPQ	XY	501-1370	2139629-02
20	Body Wear Ring, 410SS QPQ	XY	501-1340	2139650-02
21	Gate Clip, SS	XY	501-1330	M451649
22	Seat, 410SS/HNBR	XY	501-1390	2139748-01
23	Wear Ring Seal, HNBR	XY	3H9-2435	2726268-02
24	Stud-Body, ASTM A193 B7		501-1400	2171976-12-01
25	Nut-Body, ASTM A194 2H		210-019	2709000-12-01
26	Body-Weld End, A487 4D		501-1382	N/A
	Body-Flange End, A487 4D		501-1380	N/A



Premium Oilfield
Technologies
Q1-3977

Premium Oilfield Technologies
10600 W. Sam Houston Pkwy North
Houston, Texas 77064
281.670.5200 ♦ premiumoilfield.com