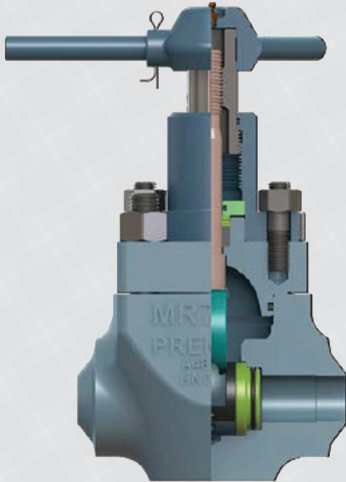


MR-75 MUD GATE VALVE 1.5" AND 2" BORE



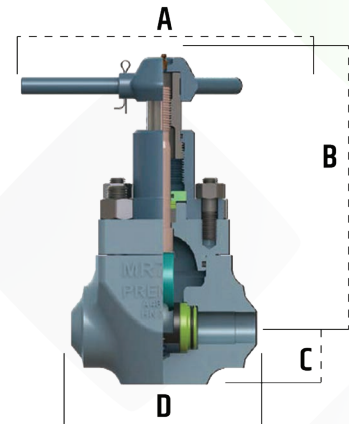
INDUSTRY-STANDARD AND FULLY INTERCHANGEABLE PARTS AND SYSTEMS

The Premium MR-75 Mud Gate Valve utilizes a field proven design, cross-compatible with legacy Demco profile mud valves. The 7500 psi version is available in sizes from 1.5" to 5" full bore along with major and minor spares kits.

BENEFITS

- ◆ Designed to be repaired without taking valve offline
- ◆ Replaceable seat rings that wear instead of the valve body, extending service life of the valve
- ◆ Stainless steel trim is standard on all valves, for high performance in corrosive applications
- ◆ Valves and repair kits are 100% interchangeable with competing brands
- ◆ Major and minor spare parts kits are stocked
- ◆ Available with Patriot™ ultra-high-performance elastomer seats to extend life

Dim	1.5" Bore XXH	2" Bore XXH	2" Bore Flanged	2" Bore 1502
A	13.88	13.88	13.88	13.88
B	13.11	13.11	13.11	13.11
C	2.75	2.75	2.75	2.75
D	9	9	20.5	15.72



MR-75 HIGH PRESSURE MUD VALVE - 1.5 AND 2" BORE

Item No.	Part Description	Kit	1.5" BORE (2" XXH)	1.5" BORE (2" XXH) - OEM	2" BORE (2" XXH)	2" BORE (2" XXH) - OEM
1	Grease Fitting, 1/8 NPT		601-0009	J005195	601-0009	J005195
2	Handle		501-0230	2139712-01	501-0230	2139712-01
3	Cotter Pin		601-0037	J005420-18728	601-0037	J005420-18728
4	Handle Lock		501-0240	J001891	501-0240	J001891
5	Stud-Screw Housing		501-0410	J002066	501-0410	J002066
6	Nut-Screw Housing		210-009	2709000-08-01	210-009	2709000-08-01
7	Screw Housing Seal, HNBR	Y	3N7-2224	J005526-224	3N7-2224	J005526-224
8	Screw Housing, 1040		501-0270	J024982	501-0270	J024982
9	Stem Screw, 1040	Y	501-0250	J001913	501-0250	J001913
	Packing Retainer		501-0300	J001940*	501-0300	J001940*
10	Stem Seal Assembly, HNBR (11, 12)		501-0310	STEM SEAL ASSM. J023231-008	501-0310	STEM SEAL ASSM. J023231-008
11	Stem Bushing, AL-BR	Y	501-0311		501-0311	
12	Stem Seal Packing, FEPM	XY	501-0312**		501-0312**	
13	Secondary Seal, HNBR	Y	3H9-2210	2712425-13	3H9-2210	2712425-13
14	Stud-Body, ASTM A193 B7		501-0430	J015432	501-0430	J015432
15	Nut-Body, ASTM A194 2H		210-013	2709000-10-01	210-013	2709000-10-01
16	Bonnet, 4130		501-0350	J024895-030	501-0350	J024895-030
17	Bonnet Seal, HNBR	XY	3H9-2343	2712425-60	3H9-2343	2712425-60
18	Stem, 410SS QPQ	Y	501-0280	J024983-107	501-0290	J024983-107
19	Gate, 410SS QPQ	XY	501-0040	2269412-01*	501-0370	2139624-02
20	Body Wear Ring, 410SS QPQ	XY	501-0020	2269414-01	501-0330	2139647-02
21	Gate Clip, SS	XY	501-0320	M450480	501-0320	M450480
22	Body-Flange End, A487 4D		N/A	N/A	501-0380	N/A
	Body-Weld End, A487 4D		501-0050	N/A	501-0382	N/A
23	Wear Ring Seal, HNBR	XY	3H9-2229	2712425-18*	3H9-2229	2712425-03
24	Seat, 410SS/HNBR	XY	501-0060	2269403-01	501-0390	2139742-01

