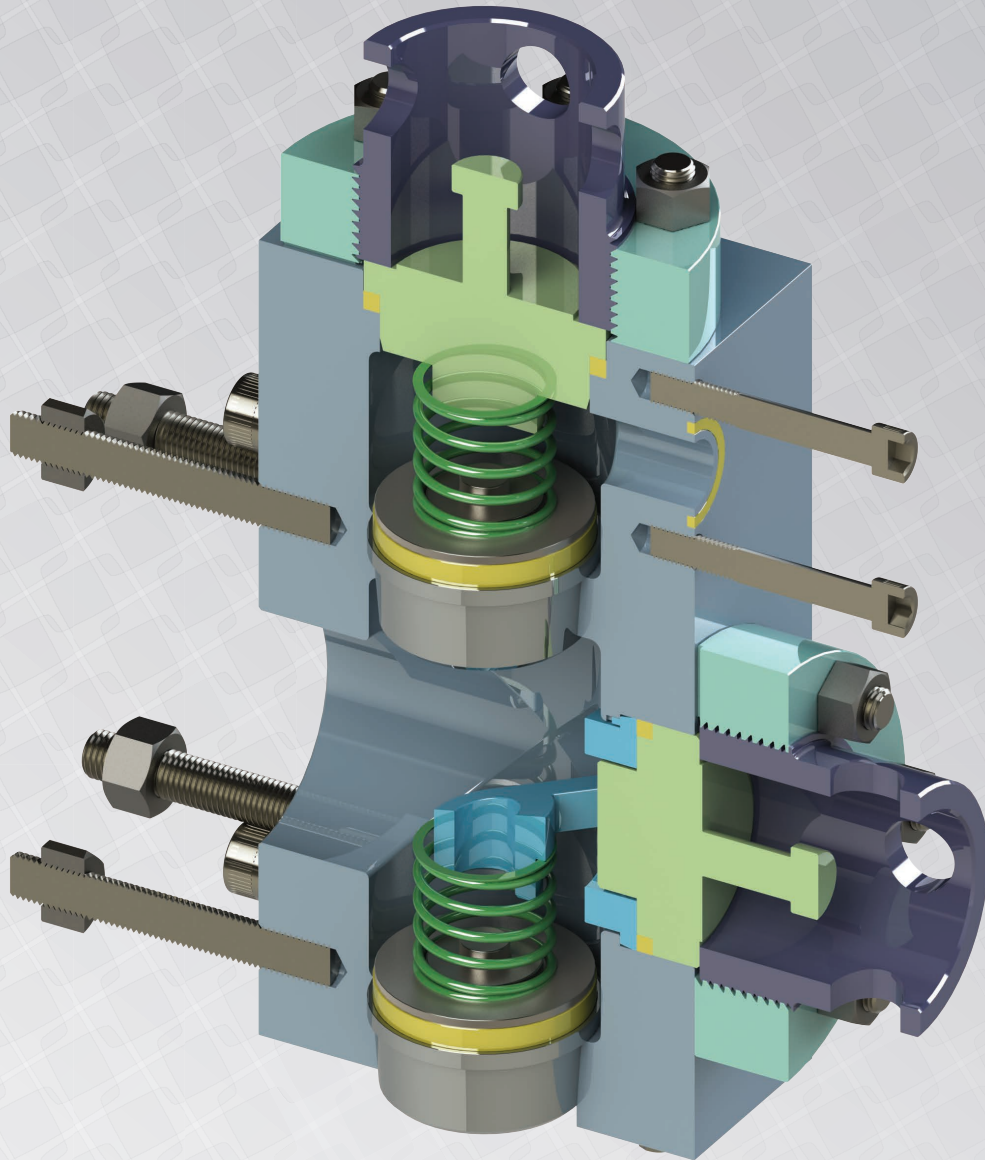
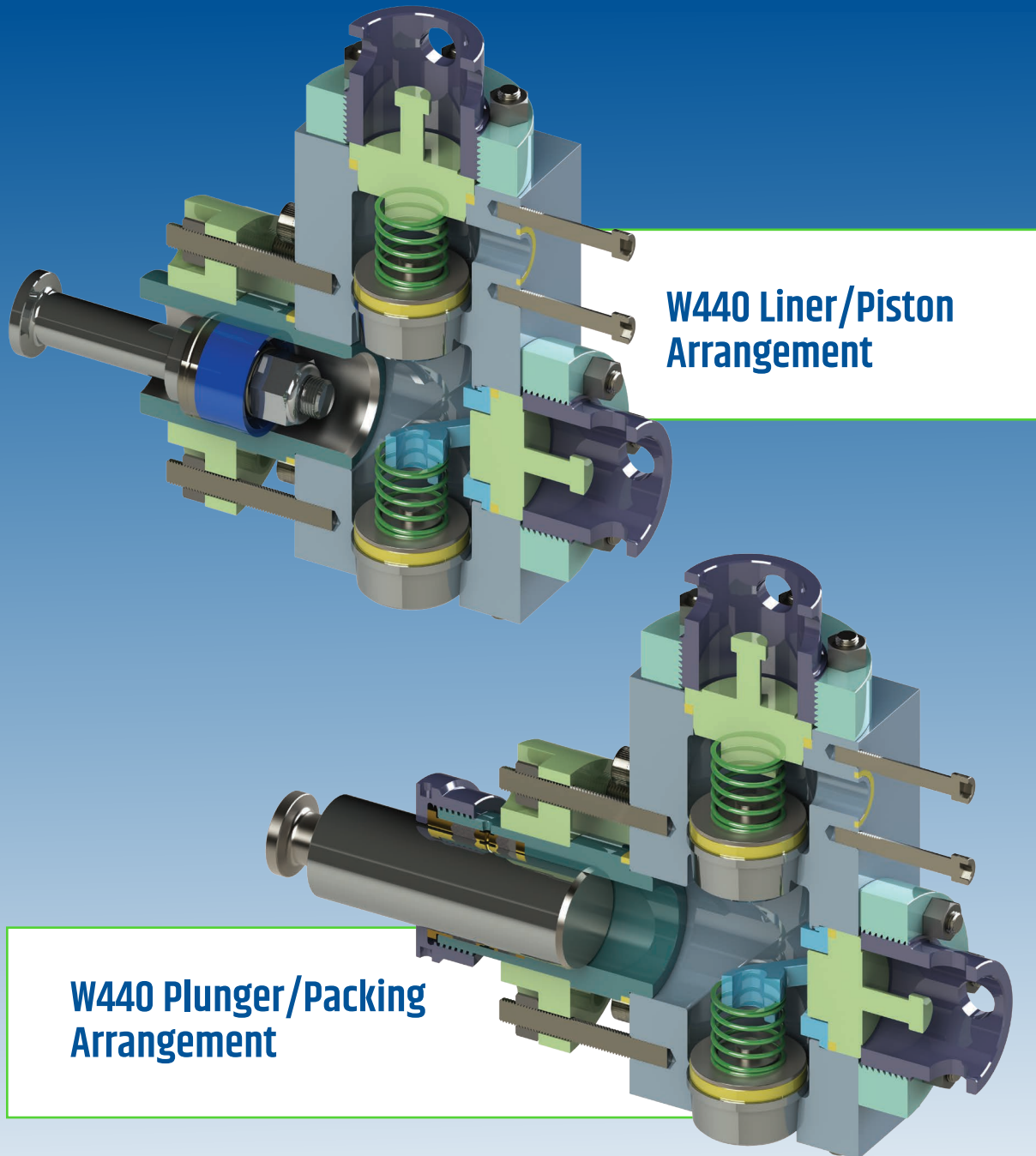


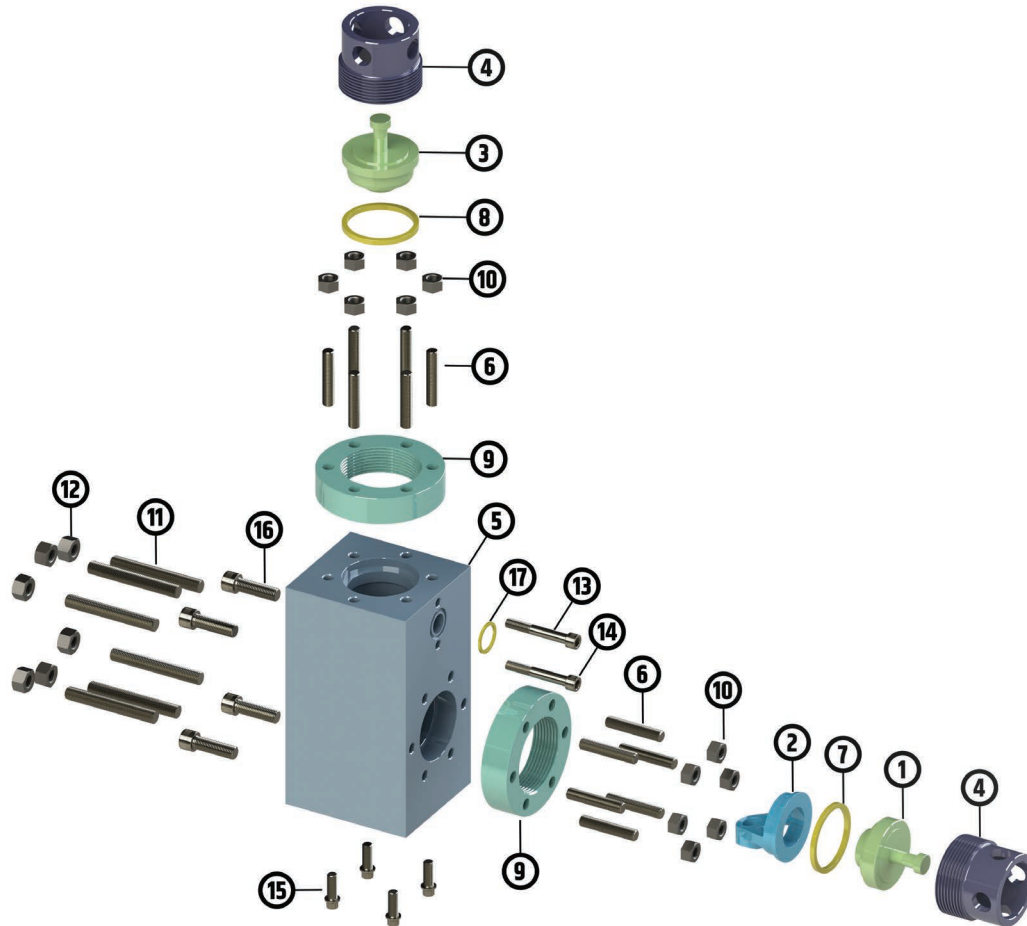
W-440 Fluid End Parts



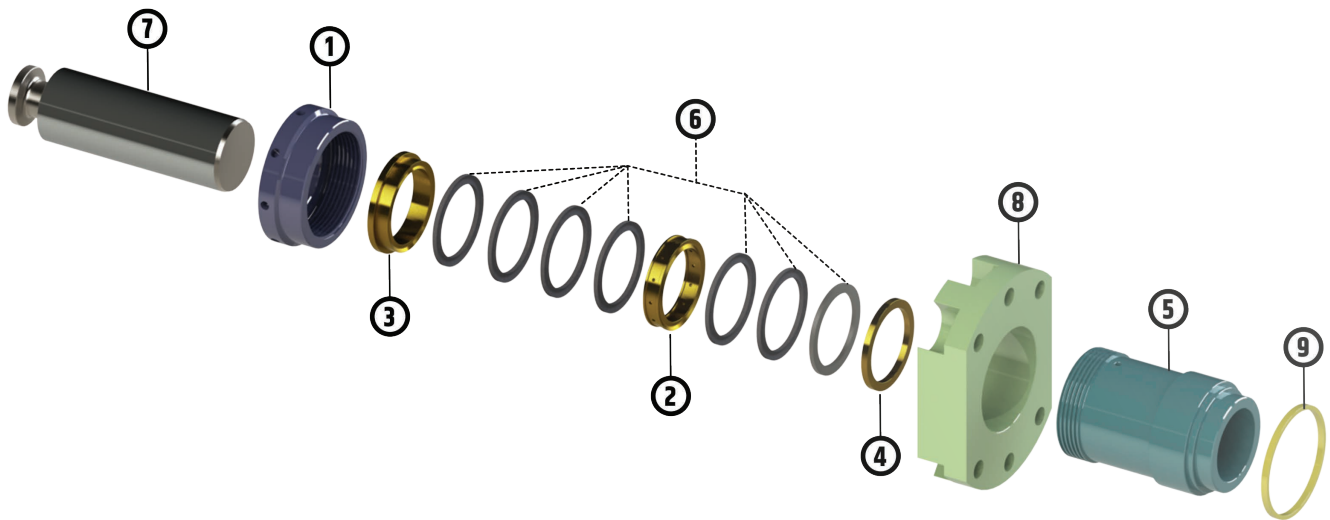
Premium Oilfield Technologies offers a complete line of fluid end modules and components that are manufactured to OEM specifications and interchangeability. Our modules are machined to precise engineering tolerances. Each forging is machined and heat treated to maintain the best physical properties inside the module and on the surface, thus minimizing washing and stress cracking.



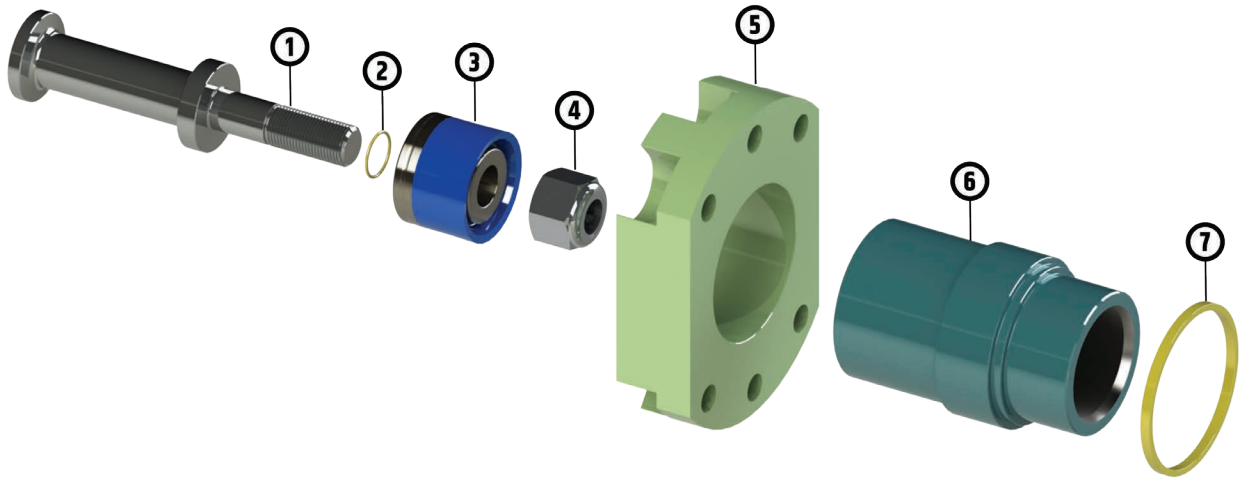
W440 Fluid End



Item #	Part #	QTY	Description
	D-440003	3	Module, studded, W-440 (includes items 5 and 9 thru 14)
1	B-440309	3	Plug, Cylinder Head, W-440
2	B-440321	3	Guide, Lower Valve, W-440
3	B-440323	3	Plug, Valve Cover, W-440
4	B-440343	6	Cover, Valve, W-440
5	D-440003-NS	3	Module, Unstudded W-440
6	D-440342	6	Flange, Valve Cover, W-440
7	W-440.01.001	3	Gasket, Cylinder Head, W-440
8	W-440.01.010	3	Gasket, Valve Cover, W-440
9	W-440.01.011	36	Valve Cover Stud
10	W-440.01.012	36	Hvy Hex Nut
11	W-440.01.005	12	Liner Retainer Stud
12	W-440.01.006	12	Hvy Hex Nut
13	W-440.01.013	6	Discharge Manifold Stud
14	W-440.01.014	6	Hvy Hex Nut
15	W0101	12	Suction Manifold Screw
16	W-440.01.009	12	Module To Frame Screw
17	EO-103-P	3	Discharge Manifold O-Ring, W440



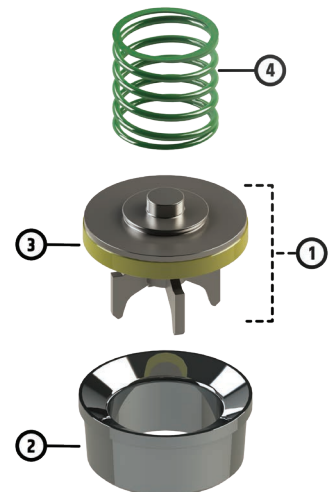
Item #	Description	QTY	4"***
1	Packing Nut W-440	1	440SB2-P
2	Lantern Ring W-440	1	440SB6-P
3	Gland Ring W-440	1	440SB5-P
4	Specer Ring W-440	1	440SB7-P
5	Stuffing Box W-440	1	440SB1-P
6	Packing Set W-440	1	440SB4X5-P
7	Plunger W-440	1	440SB3-P
8	Retainer Ring, W-440	1	B-440322
9	Liner/Stuffing Box Gasket	1	W-440.01.008



Item #	Part Number	Qty	Description
1	B-440308	3	Rod, Piston, W-440, CS
2	3N7-2215	3	O-Ring
3	See Chart	3	Piston Complete (includes item #2)
4	7403224-P	3	Nut, Piston Rod
5	B-440332	3	Ring, Liner Retainer, W-440
6	See Chart	3	Liner
7	W-440.01.008	3	Gasket, Liner, W-440, NBR

Size	Liner	Piston Complete	Piston Rubber Kit	Bonded Piston
3"	100-74C30-00	411-30A10-00	412-30A10-00	409-30A10-HT
3-1/2"	100-74C34-00	411-34K10-00	412-34K15-00	409-34N10-HT
4"	100-74C40-00	411-40K10-00	412-40K15-00	409-40N10-HT
4-1/2"	100-74C44-00	411-44K10-00	412-44K15-00	409-44N10-HT

Item#		Caliber® (Replaceable Insert)	Caliber®
1	Valve Assembly	510-41V00-00	510-42V00-HT
2	Valve Seat	510-46S00-05	
3	Valve Insert	NF-4-IA-P	N/A
4	Valve Spring	5710-33	



CORPORATE

Premium Oilfield Technologies - USA

10600 W. Sam Houston Pkwy. North
Houston, TX 77064
T: +1 281.670.5200

USA MANUFACTURING & REPAIR

Patriot and Urethane

10600 W. Sam Houston Pkwy. North
Houston, TX 77064
T: +1 281.670.5228

Premium Drilling Equipment and Support

9841 Windmill Park Ln.
Houston, TX 77064
T: +1 281.670.5200

Well Service Solutions and Equipment

2904 SCR 1250
Midland, TX 79706
T: +1 432.563.2338

West Texas Operations - All Divisions

10207 West Industrial Ave.
Midland, TX 79706
T: +1 432.332.3651

Patriot Screens

4602 S. MacArthur Blvd.
Oklahoma City, OK 73179
T: +1 405.470.6553

NORTH AMERICA FIELD SALES, SERVICES AND REPAIR OFFICES

California / Colorado / Louisiana / New Mexico / North Dakota / Oklahoma / Pennsylvania / Texas / Utah
Wyoming / Leduc, Alberta

INTERNATIONAL

KUWAIT

Premium Oilfield Technologies

P.O. Box 721
Yarmouk, Kuwait
72658
T: +965 99679126
T: +965 66022296

UAE

Premium Oilfield Technologies Trading LLC

P.O. Box 89561
Dubai, UAE
T: +971 55 889 7210
T: +971 56 986 3834

UAE

Premium Drilling Equipment and Support Middle East

#FZS1BA04 Jebel Ali Free Zone (South)
P.O. Box 262263
Dubai, UAE
T: +971 4 889 4897
T: +971 50 658 7570

INDIA

PMR Mud Riggers India Private Limited

21/17, D-1 Block, MIDC
Chinchwad, Pune MH 411019
India

SAUDI ARABIA

Premium Mud Pumps Trading Est.

P.O. Box 956
Dammam, KSA
Postal Code: 31951
T: +966 50 0157516



Premium Oilfield Technologies
Q1-3977
ISO 9001:2015
Certificate Number: 5028



sales@premiumoilfield.com
premiumoilfield.com

121323

SUR·LOCK

CALIBER

TRU·FLOW

PATRIOT™



LOGAN
Power Swivel