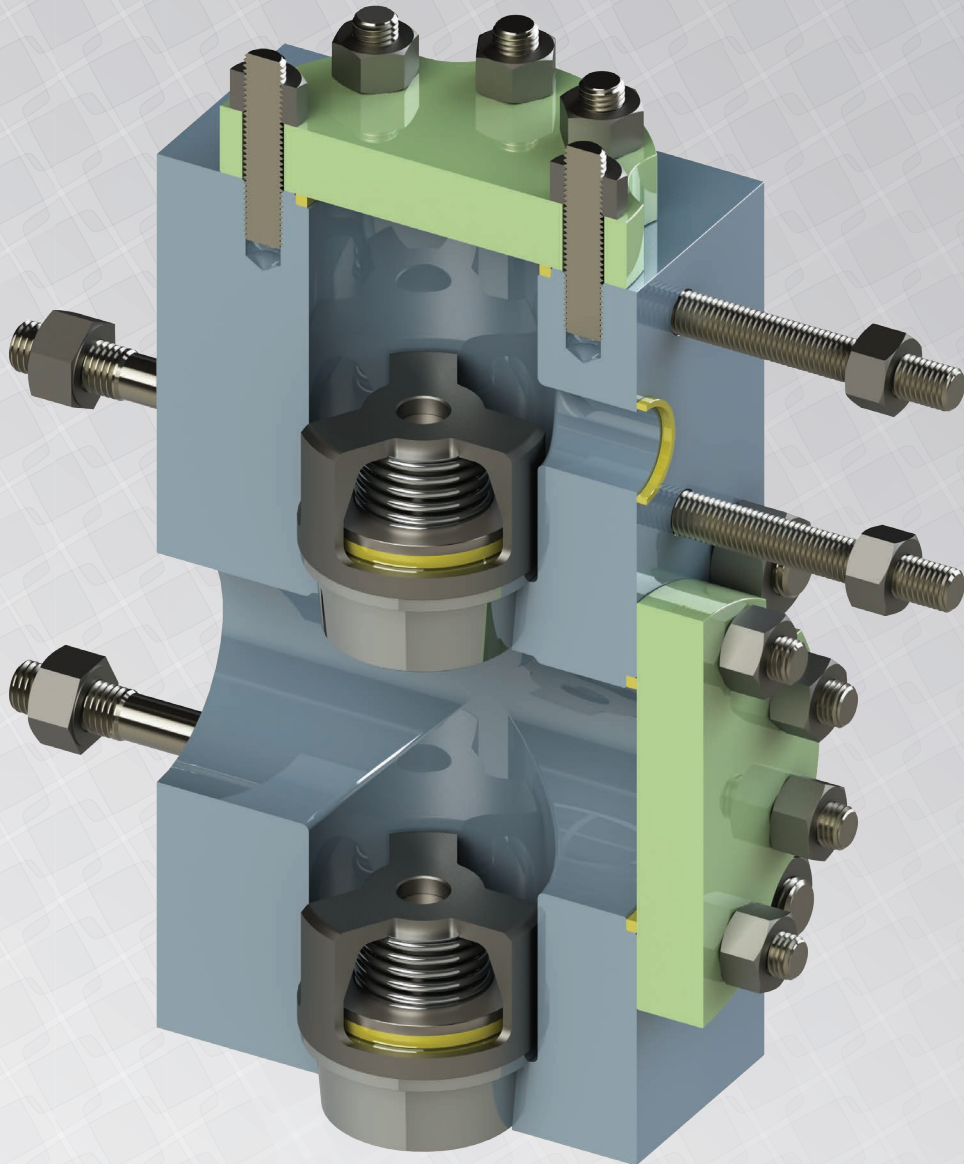
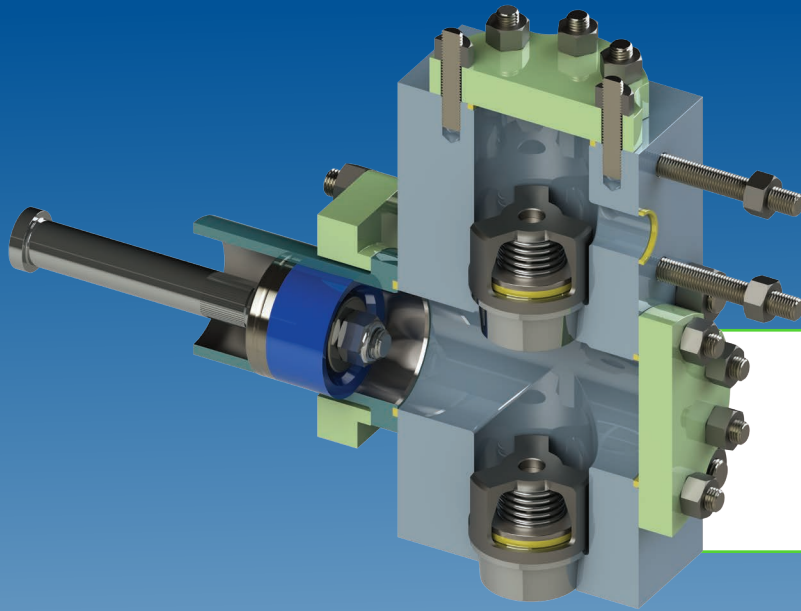


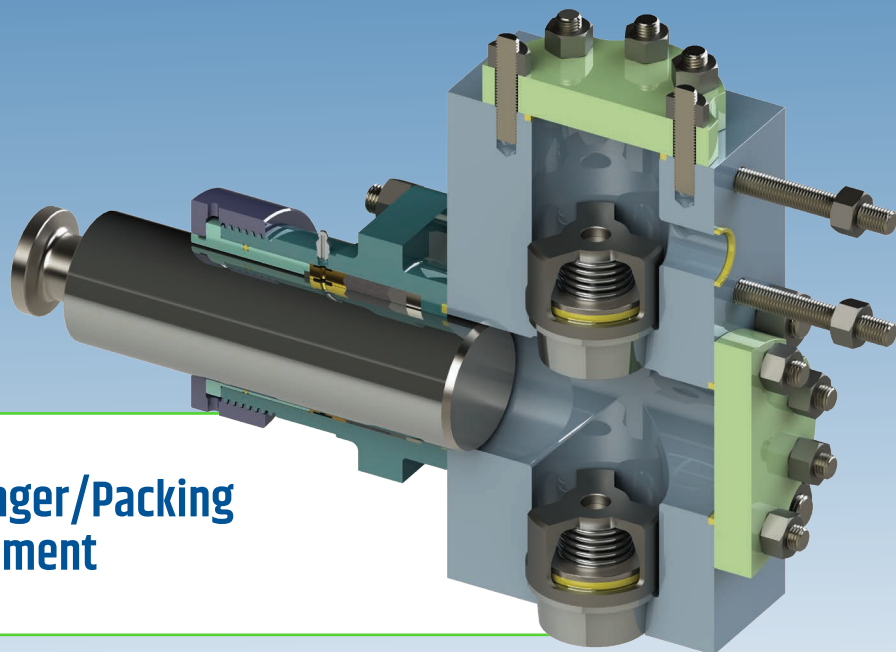
TEE_D Fluid End Parts



Premium Oilfield Technologies offers a complete line of fluid end modules and components that are manufactured to OEM specifications and interchangeability. Ours are machined to precise engineering tolerances. Each forging is machined and heat treated to maintain the best physical properties inside the module and on the surface, thus minimizing washing and stress cracking.

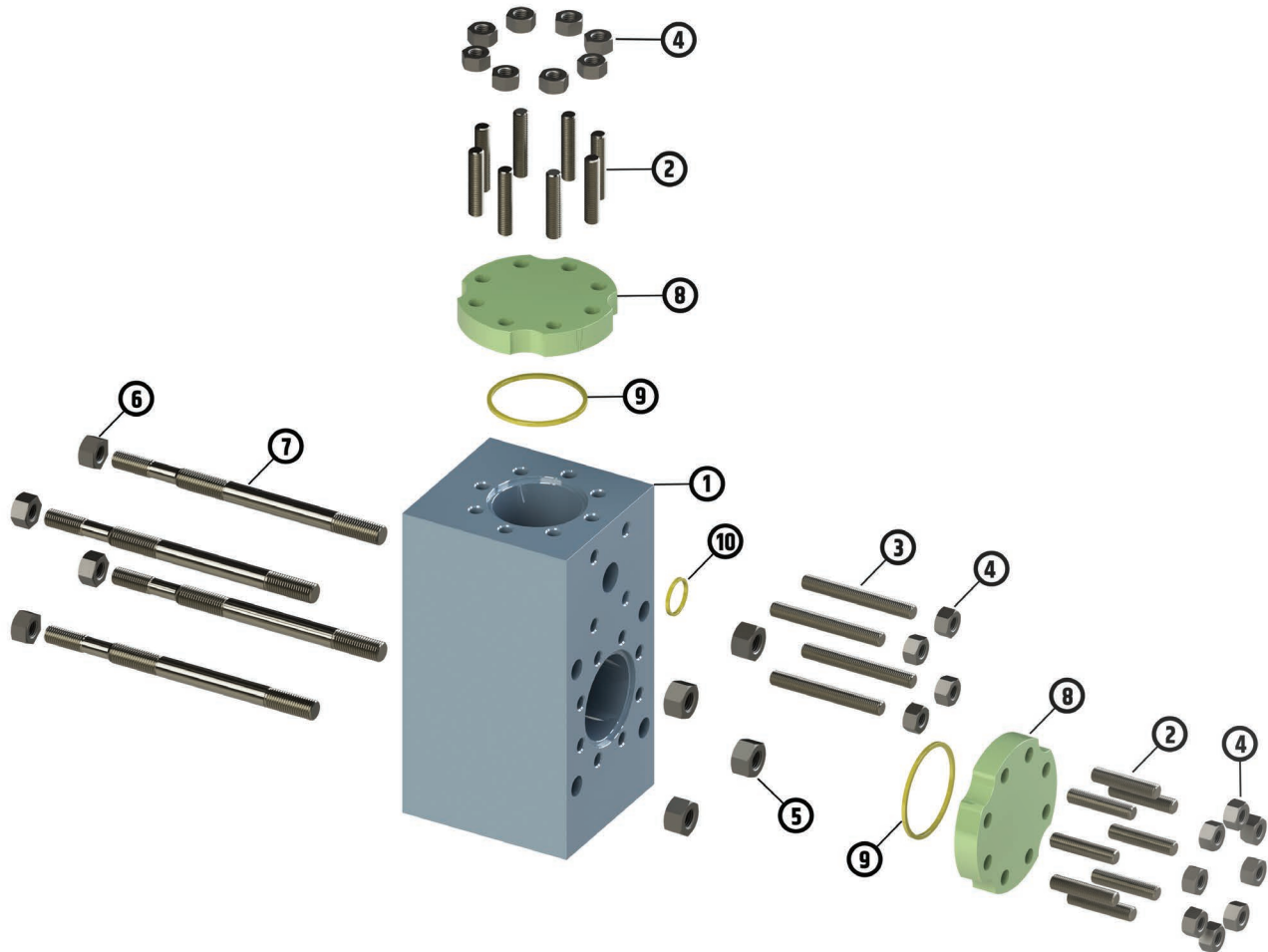


TEE Liner/Piston Arrangement

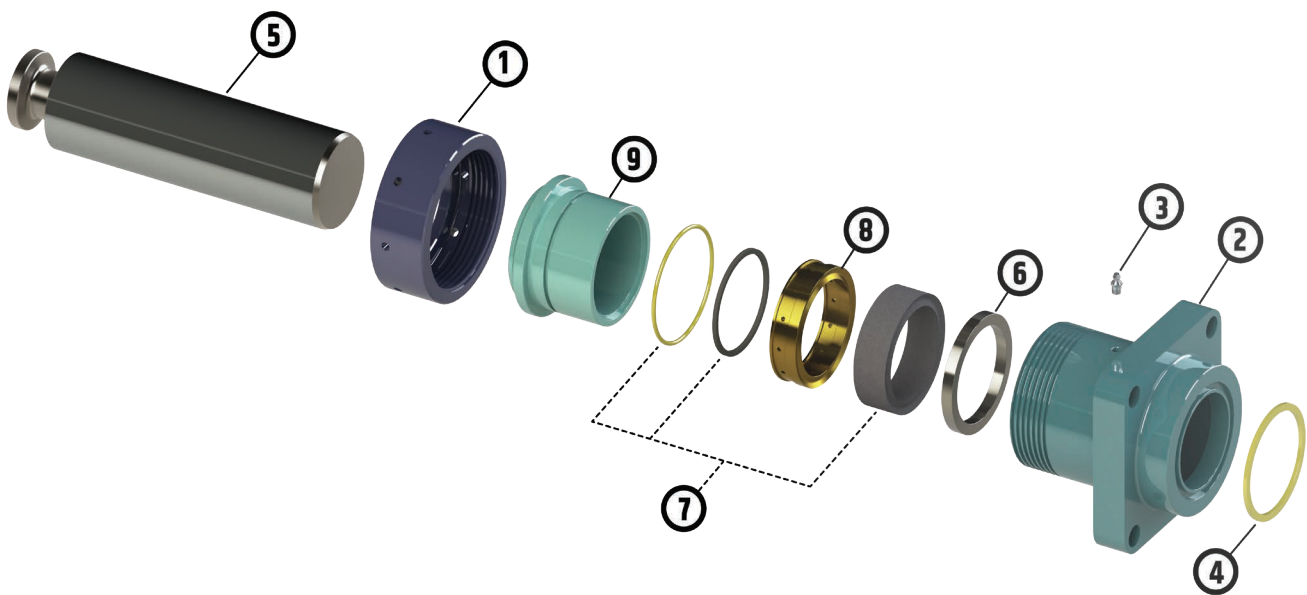


TEE Plunger/Packing Arrangement

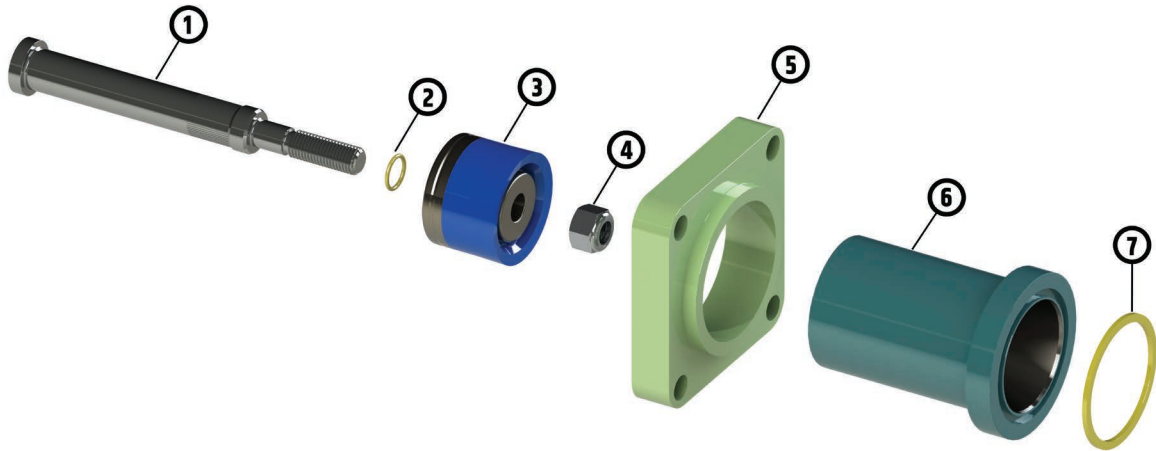
TEE Fluid End



Item #	Part #	QTY	Description
	200TEE029B-P		Fluid End Module C/W Studs (items 1 - 7)
1	NS-200TEE029B-P	1	Fluid End Module Unstudded
2	201TEE110-P	48	Stud, Valve Cover
3	79L96-P	12	Stud, Discharge Manifold
4	50B32-P	60	Hvy Hex Nut
5	50B34-P	12	Hvy Hex Nut
6	50AQ30-P	12	Hvy Hex Nut
7	200TEE110-P	12	Stud, Cylinder to Frame & Stuffing Box
8	200TEE147-P	6	Valve Cover
9	25AL20-P	6	Valve Cover Gasket
10	25AL59-P	3	Discharge Manifold Gasket



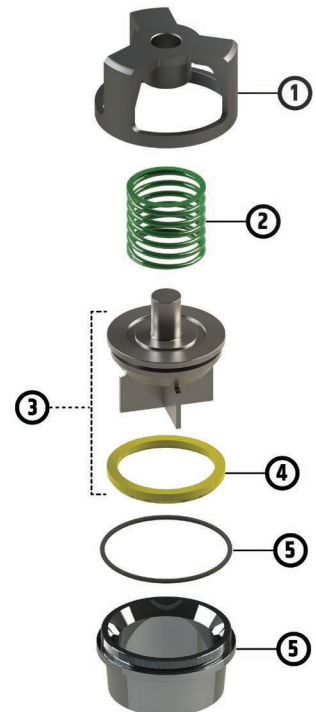
Ref. No	Description	Qty	4"	3-1/2"	3"
1	Gland	3	200PEE008-P		4PE113-P
2	Stuffing Box, incl. ref. no. 3	3	200TEE014-P	201TEE014-P	202TEE014-P
3	Grease Fitting	3	40E7		
4	Gasket	3	25AL20-P		
5	Plunger	3	1PE3840-P	1PE3835-P	1PE3830-P
Packing assembly (includes items 6 - 9)		3	TEE77906-P	TEE77907-P	TEE77908-P
6	Junk Ring	3	200TEE317-P	201TEE317-P	202TEE317-P
7	Packing Set	3	60DD116-P	60DD115-P	60DD113-P
8	Lantern Ring	3	200TEE445-P	201TEE445-P	202TEE445-P
9	Gland Bushing	3	200TEE152-P	201TEE152-P	202TEE152-P



Item #	Part Number	Qty	Description
1	200PEE060-P	3	Piston Rod C/W Nut (includes item #4)
2	3N7-2214	3	O-Ring
3	See Chart	3	Piston Complete (includes item #2)
4	7403224-P	3	Nut, Piston Rod
5	200PEE455-P	3	Clamp-Liner
6	SEE CHART	3	Liner
7	25AL36-P	3	Gasket Liner to Cylinder

Size	Liner	Piston Complete	Piston Rubber Kit	Bonded Piston
3"	201PEE456-P	411-30A10-00	412-30A10-00	409-30N10-HT
3-1/2"	202PEE456-P	411-34K10-00	412-34K15-00	409-34N10-HT
4"	203PEE456-P	411-40K10-00	412-40K15-00	409-40N10-HT

Item#	Description	Part Number
Valve assembly complete (items 1 - 6)		209TEE482-P
1	Valve Cage	2116524-P
2	Valve Spring	2116523-P
3	Valve c/w Insert	2116521-P
4	Valve Insert	2116522-P
5	O-Ring	2116520-P
6	Valve Seat	2116687-P



CORPORATE

Premium Oilfield Technologies - USA

10600 W. Sam Houston Pkwy. North
Houston, TX 77064
T: +1 281.670.5200

USA MANUFACTURING & REPAIR

Patriot and Urethane

10600 W. Sam Houston Pkwy. North
Houston, TX 77064
T: +1 281.670.5228

Premium Drilling Equipment and Support

9841 Windmill Park Ln.
Houston, TX 77064
T: +1 281.670.5200

Well Service Solutions and Equipment

2904 SCR 1250
Midland, TX 79706
T: +1 432.563.2338

West Texas Operations - All Divisions

10207 West Industrial Ave.
Midland, TX 79706
T: +1 432.332.3651

Patriot Screens

4602 S. MacArthur Blvd.
Oklahoma City, OK 73179
T: +1 405.470.6553

NORTH AMERICA FIELD SALES, SERVICES AND REPAIR OFFICES

California / Colorado / Louisiana / New Mexico / North Dakota / Oklahoma / Pennsylvania / Texas / Utah
Wyoming / Leduc, Alberta

INTERNATIONAL

KUWAIT

Premium Oilfield Technologies

P.O. Box 721
Yarmouk, Kuwait
72658
T: +965 99679126
T: +965 66022296

UAE

Premium Oilfield Technologies Trading LLC

P.O. Box 89561
Dubai, UAE
T: +971 55 889 7210
T: +971 56 986 3834

UAE

Premium Drilling Equipment and Support Middle East

#FZS1BA04 Jebel Ali Free Zone (South)
P.O. Box 262263
Dubai, UAE
T: +971 4 889 4897
T: +971 50 658 7570

INDIA

PMR Mud Riggers India Private Limited

21/17, D-1 Block, MIDC
Chinchwad, Pune MH 411019
India

SAUDI ARABIA

Premium Mud Pumps Trading Est.

P.O. Box 956
Dammam, KSA
Postal Code: 31951
T: +966 50 0157516



Premium Oilfield Technologies
Q1-3977
ISO 9001:2015
Certificate Number: 5028



sales@premiumoilfield.com
premiumoilfield.com

121323

SUR·LOCK

CALIBER

TRU·FLOW

PATRIOT™



LOGAN
Power Swivel