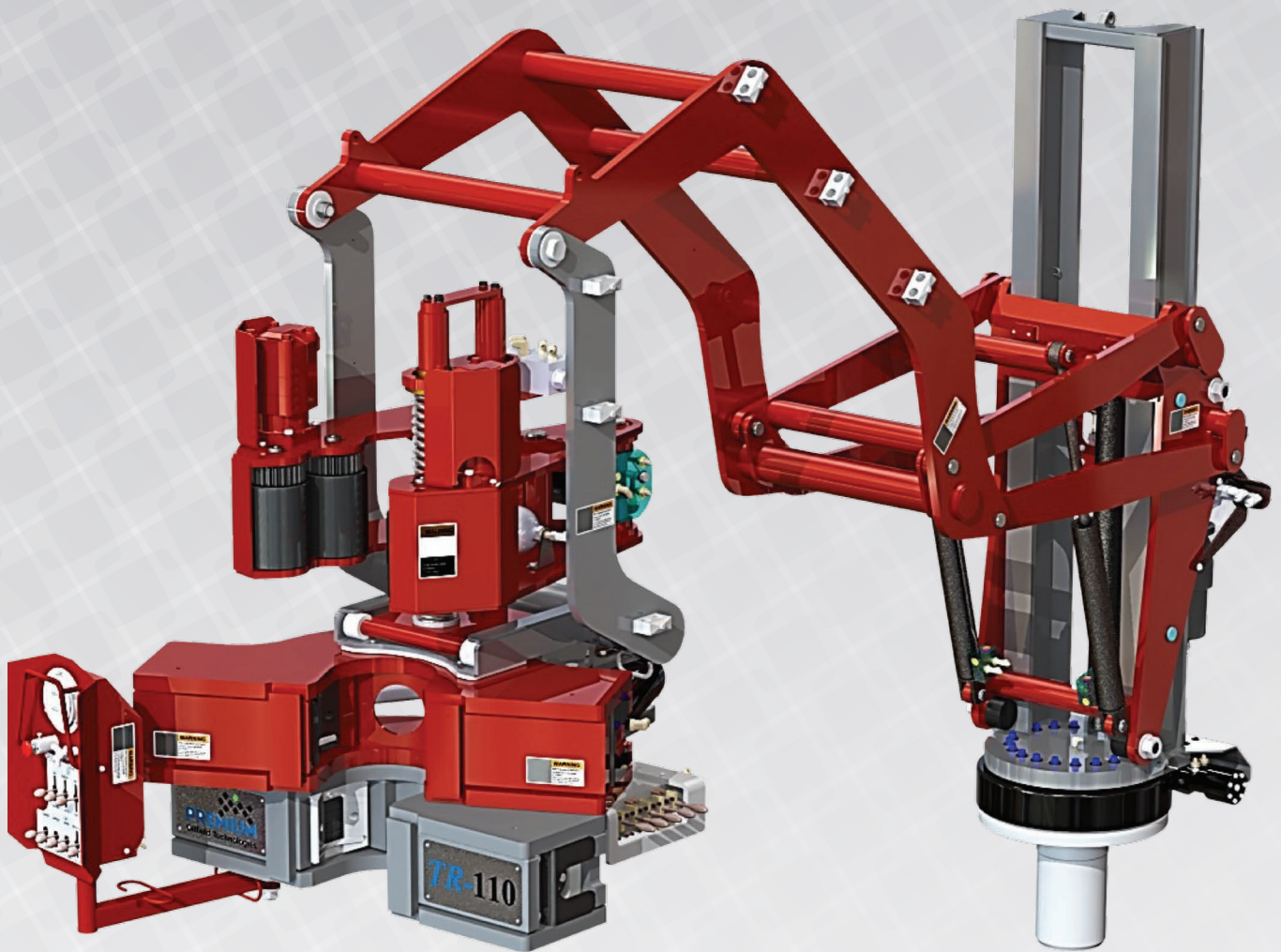
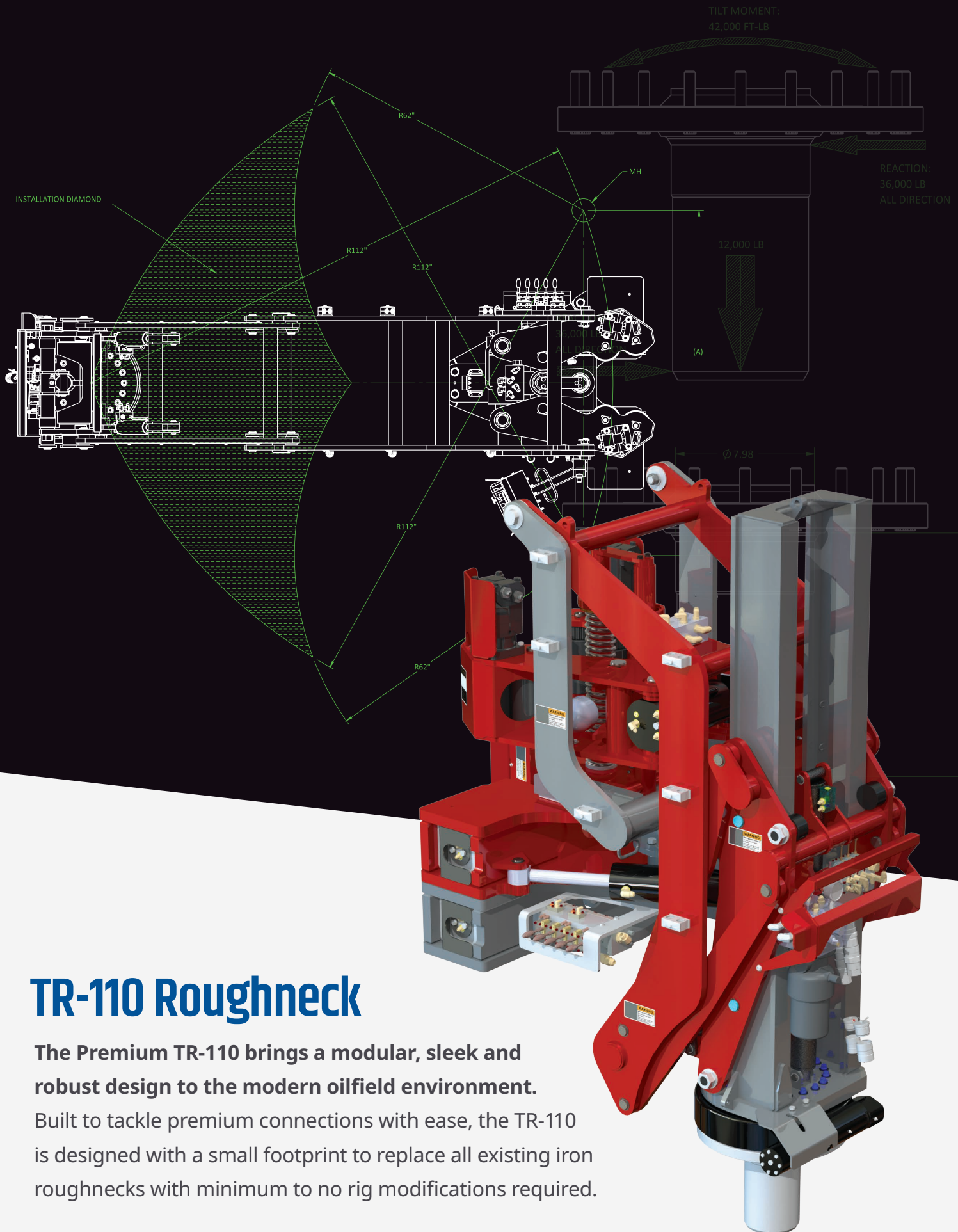


TR-110 Roughneck





TR-110 Roughneck

The Premium TR-110 brings a modular, sleek and robust design to the modern oilfield environment. Built to tackle premium connections with ease, the TR-110 is designed with a small footprint to replace all existing iron roughnecks with minimum to no rig modifications required.

TR-110 Roughneck

Premium Oilfield Technologies provides performance enhancing solutions for the oil and gas industry, that meet the strictest safety standards. **The TR-110 Roughneck completes the toughest jobs while decreasing downtime, improving safety and performing in harsh drilling environments.**

Performance

- Torque accuracy
- Dual torque cylinder system
- Optimized geometry
- Floating upper grip system
- Makes or breaks connections with a single bite
- Automation capable

Service

- Safety: smaller footprint leaves more area for rig crews to work
- Minimal grease points
- Extended life spinner rollers
- Easy access to hydraulic hoses, cylinders, motors and consumables

Total Cost of Ownership

- Simple installation
- Low cost of maintenance
- Competitively priced
- Minimum to no rig modifications required

Dimensions

45.5" W x 60" D x 88.5" H

Torque Wrench Assembly

- Make-up torque: 90,000 ft. lb.
- Break-out torque: 110,000 ft. lb.
- Wrench assembly rotation: 35°

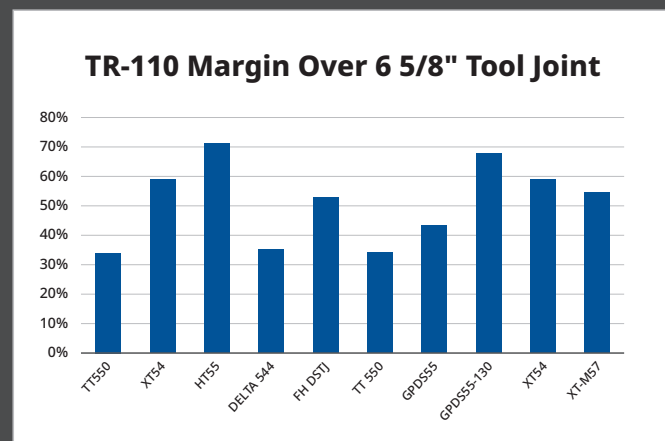
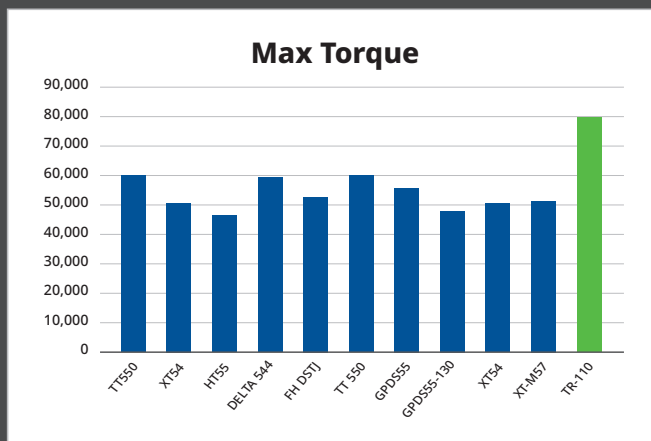
Arm Assembly

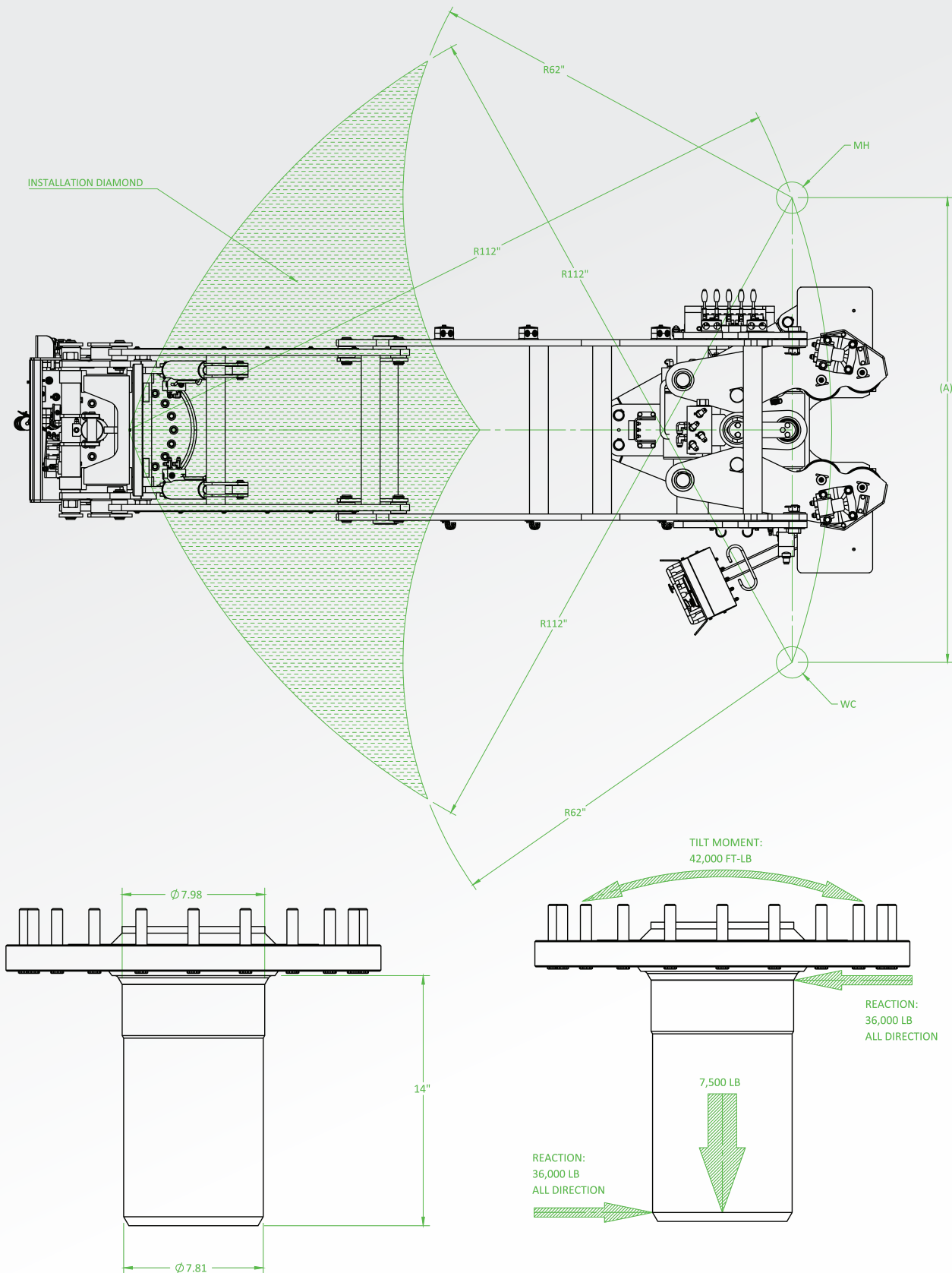
- Connection height: 30" – 66"
- Max horizontal reach: 112.5"
- Advanced rotation from control panel
- Control panel can be installed on left or right sides of the tool

Spinner Wrench

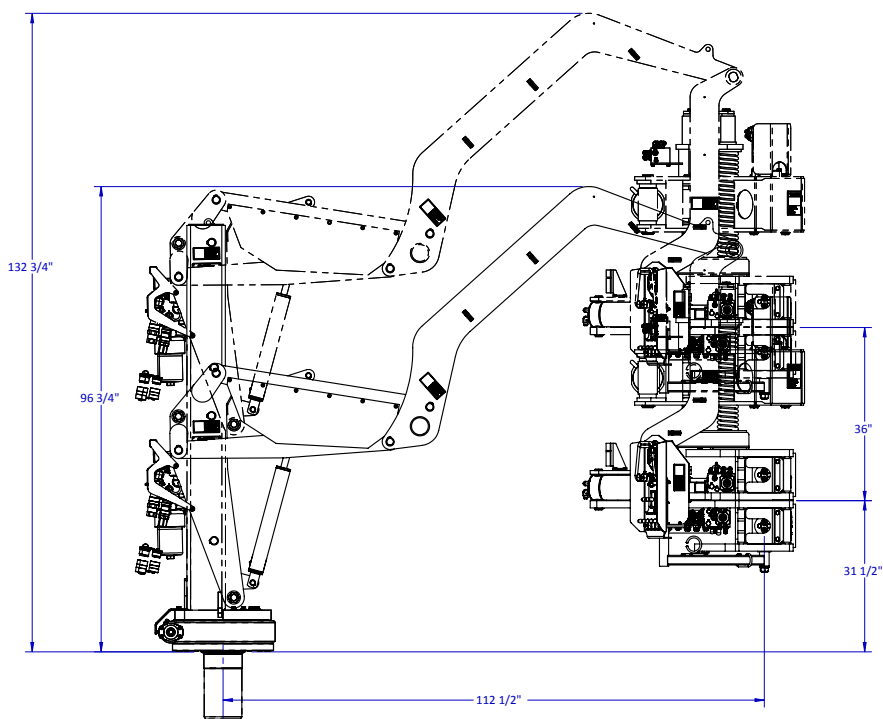
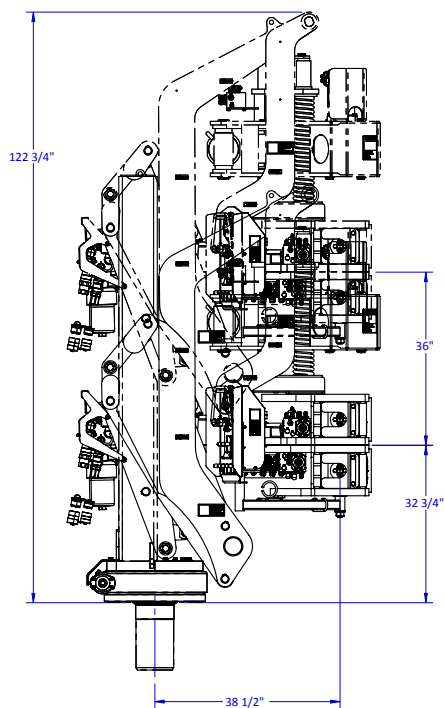
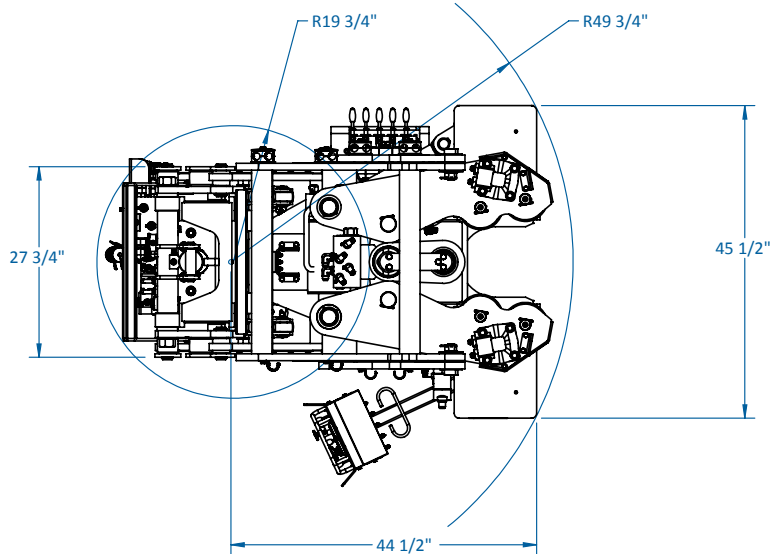
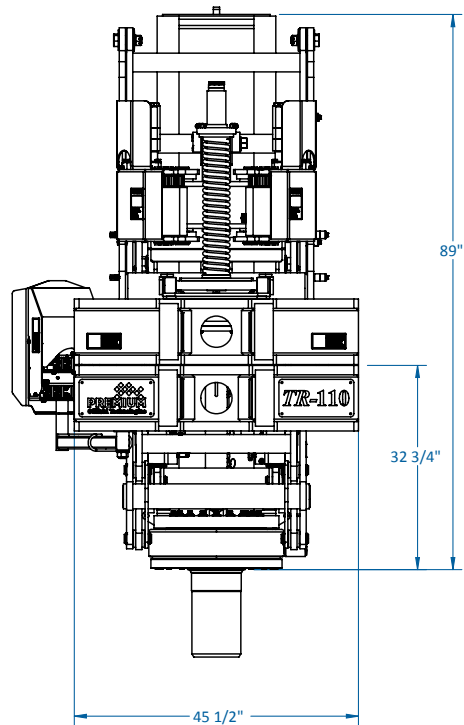
- Drill pipe: 3.5" to 10" OD
- Spinning torque @ 5" OD: 2,000 ft-lb
- Spinning torque @ 5" OD: 85 RPM

TR-110 vs. 5 1/2" Drill Pipes





Dimensional Data



CORPORATE

Premium Oilfield Technologies - USA

10600 W. Sam Houston Pkwy. North
Houston, TX 77064
T: +1 281.670.5200

USA MANUFACTURING & REPAIR

Patriot and Urethane

10600 W. Sam Houston Pkwy. North
Houston, TX 77064
T: +1 281.670.5228

Premium Drilling Equipment and Support

9841 Windmill Park Ln.
Houston, TX 77064
T: +1 281.670.5200

Well Service Solutions and Equipment

2904 SCR 1250
Midland, TX 79706
T: +1 432.563.2338

West Texas Operations - All Divisions

10207 West Industrial Ave.
Midland, TX 79706
T: +1 432.332.3651

Patriot Screens

4602 S. MacArthur Blvd.
Oklahoma City, OK 73179
T: +1 405.470.6553

NORTH AMERICA FIELD SALES, SERVICES AND REPAIR OFFICES

California / Colorado / Louisiana / New Mexico / North Dakota / Oklahoma / Pennsylvania / Texas / Utah
Wyoming / Leduc, Alberta

INTERNATIONAL

KUWAIT

Premium Oilfield Technologies

P.O. Box 721
Yarmouk, Kuwait 72658
T: +965 99679126
T: +965 66022296

INDIA

PMR Mud Riggers India Private Limited

21/17, D-1 Block, MIDC
Chinchwad, Pune MH 411019
India

SAUDI ARABIA

Premium Mud Pumps Trading Est.

P.O. Box 956
Dammam, KSA
Postal Code: 31951
T: +966 50 0157516

UAE

Premium Oilfield Technologies Trading LLC

P.O. Box 89561
Dubai, UAE
T: +971 55 889 7210
T: +971 56 986 3834

UAE

Premium Oilfield Technologies FZE Top Drive Solutions

S700, PLOT S30229
Jebel Ali Free Zone (South)
P.O. Box 262263
Dubai, UAE
T: +971 4 889 4897
T: +971 506587570

UAE

Premium Oilfield Technologies FZE Mud Pump Solutions

S700, PLOT S30229
Jebel Ali Free Zone (South)
P.O. Box 262263
Dubai, UAE
T: +971 4 889 4897
T: +971 558897210



Premium Oilfield Technologies
Q1-3977
ISO 9001:2015
Certificate Number: 5028



sales@premiumoilfield.com
premiumoilfield.com

061724

SUR·LOCK

CALIBER

TRU·FLOW

PATRIOT™



LOGAN
Power Swivel